



Features

- Elegant and stylish chassis design
- 15" TFT LCD with 5-wire resistive touch display
- Supports IP64 water spill proof to enhance user experience
- Fanless design for long life span
- Support VESA mount
- Built-in VFD and second display (optional)
- Adjustable tilt angle for display
- Easy installation and maintenance for motherboard and HDD
- Modular design for display and system
- Optional MSR & i-button module mountable for both side of display

PT5000 Series Specification

Model no.		PT5000	PT5100	PT5200
Display	LCD Display Size	15" TFT LCD		
	Max. Resolution	1024*768		
	Brightness	250 cd/m ²		
	Touch Screen	5-wire resistive		
Processor	CPU/ Chipset	Intel® Atom™ N270, 1.6GHz / 945GSE + ICH7-M	Intel® Atom D510, 1.66GHz / ICH8-M	Intel® Atom D525, 1.8GHz / ICH8-M
Memory		One SO-DIMM socket supports DDR2 400/533 up to 2GB	One SO-DIMM socket supports DDR2 667/800 up to 2GB	One SO-DIMM socket supports DDR2 800 up to 4GB
Graphic memory		Dynamic Video Memory Technology (DVMT) 3.0 supports up to 224MB of video memory	Dynamic Video Memory Technology (DVMT) 4.0 supports up to 256MB of Video memory	
Storage	IDE	1		
	CF	1		
	SATA	2 x SATA I interface	2 x SATA II interface	
I/O connectors	USB 2.0	4 (front x 2, rear x 2)		
	PS/2	1 (for keyboard)		
	Powered Serial	3 x D-type 9 pins powered COM with DC 5V / 12V selection	3x D-type 9 pins powered COM with DC 5V / 12V selection	
	Cash Drawer Port	1 (12V RJ11 cash drawer port)		
	Audio Port	1 x Line-out		
	VGA Connector	1		
	Parallel	1		
	Network	LAN	1 x RJ45 10/100/1000 Base-T	
Chassis Housing / Color		Plastic and metal / black and white		
Power Supply		60W		
Dimension		373 (W) x 319 (H) x 348 (D) mm		

Specifications subject to change without notice.

Features Highlight



Elegant and stylish chassis design



Optional MSR & i-button module mountable for both side of display



Easy maintenance for HDD & motherboard

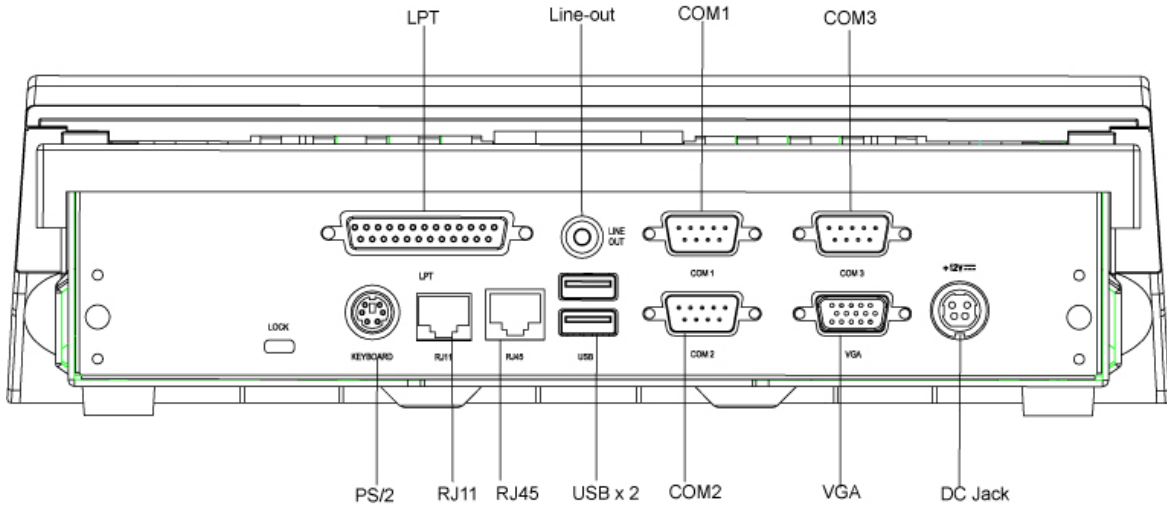


Built-in VFD (optional)



Adjustable tilt angle for display

PT5000 Mechanical Layout / Drawing



PT5100/ PT5200 Mechanical Layout / Drawing

