

# LCD Drawer

## Model: KLB-101SA 17" LCD Drawer

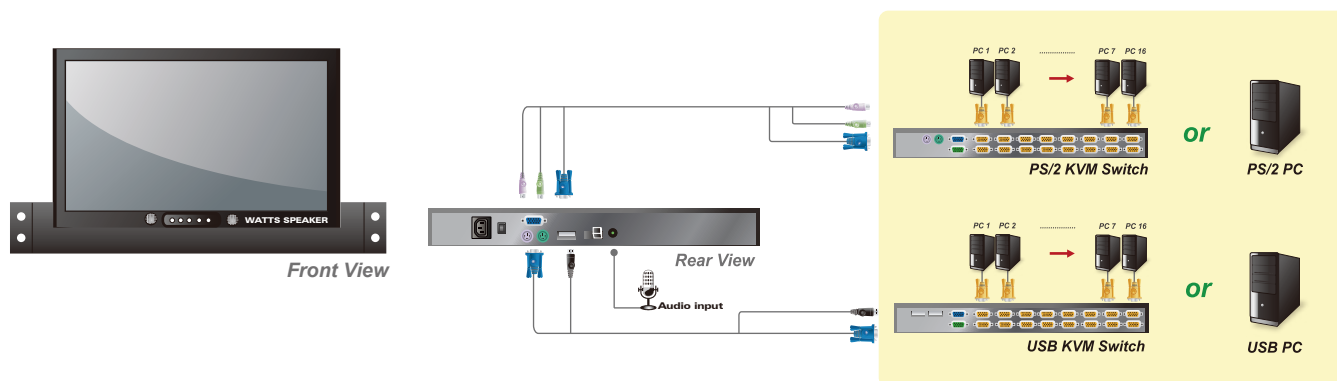


### Features -----

- Controls 1 set of PC or KVM switch.
- 104 key keyboard with touch pad
- Built-in rail self-locking device
- Complies with the height of the 1U chassis specification and installable into a 19" chassis system
- Support USB and PS/2 local console
- OSD (on screen display ) function for LCD display
- 17 TFT LCD panel , 1280 x 1024 resolution
- Built in 2 x 2 watts stereo speaker



### Diagram -----



### Specifications -----

Function	KLB-101SA	
LCD Size	17"	
Construction	Heavy-duty steel	
Contrast Ratio	1000 : 1	
White Luminance	300 cd/m2	
Pixel Pitch	0.264x 0.264 (mm)	
Color	16.7 M	
Viewing angle	178 °(H) , 178°(V)	
Computer Connector	VGA HD15(Female)	1
	USB(A type)	1
	MOUSE MD-6(Female)	1
	keyboard MD-6(Female)	1
	Audio(3.5") jack	1
Resolution	1280 x 1024	
Power supply via IEC type	AC in	100~240V 50/60Hz
	DC out	12V/4A, 48W
Environmental	Operating Temperature	0 °C to 50 °C
	Storage Temperature	-20°C to 60°C
	Humidity	10% to 90%, non - condensing
Net / Gross Weight	16kg /21kg	
Physical Dimensions ( W x H x D)	448x42x470mm	
Packing Dimensions ( W x H x D)	605x168x700mm	
Certificated	CE FCC	