



KDR-C5 Series

1U rack mount 15" / 17" / 19" LCD console with 8 / 16 / 32 ports CAT5 KVM switch

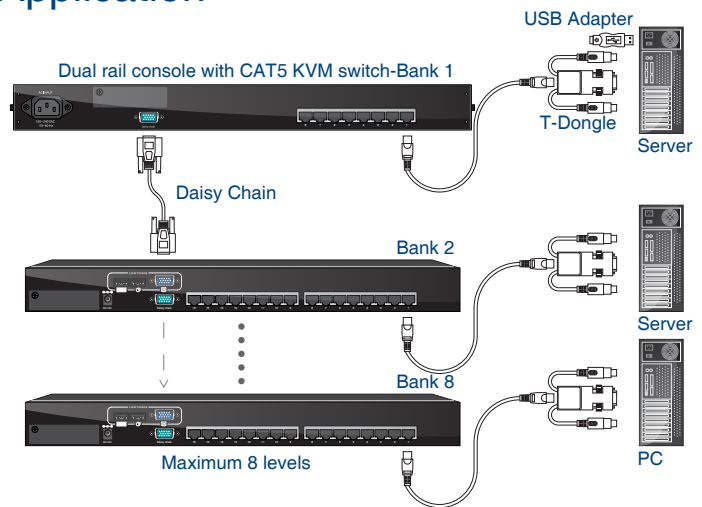
KDR-115-C5 series provide industrial level input solution to optimize your space utilization by controlling your system in just 1U rack space. With KDR-115-C5 series, you can control 8 / 16 / 32 platforms by using built-in CAT5 KVM switch and easily expand the connections up to 8 levels with the combination of KVM switch boxes.



Features

- Dual rails for independent panel and keyboard tray
- Hidden handle for keyboard tray
- Up to two users CAT5 8 / 16 / 32 - ports KVM switch
- Support combo interface for connecting to PC ports conveniently
- With IP & CAT5 modular, it can easily upgrade to be second console and remote control your systems through internet or CAT5 cable
- Support 17 various keyboard languages
- Bright Active Matrix TFT display
- OSD function (On Screen Display) for LCD display
- Durable keyboards (touchpad or trackball)
- Panel protected by tempered glass

Application



Specification

Model Name	KDR-115-C5 series	KDR-117-C5 series	KDR-119-C5 series
Number of ports	8 / 16 / 32	8 / 16 / 32	8 / 16 / 32
Dimension	569.8 x 443.4 x 44 mm / 22.4 x 17.5 x 1.7 inches	569.8 x 443.4 x 44 mm / 22.4 x 17.5 x 1.7 inches	631.3 x 443.5 x 44 mm / 24.9 x 17.5 x 1.7 inches
Package Dimension	728 x 553 x 205 mm / 28.7 x 21.8 x 8.1 inches	728 x 553 x 205 mm / 28.7 x 21.8 x 8.1 inches	788 x 564 x 185 mm / 31.0 x 22.2 x 7.3 inches
Net Weight	11.5 Kg / 25.4 lbs	13.0 Kg / 28.7 lbs	14.0 Kg / 30.9 lbs
Gross Weight	17.5 Kg / 38.6 lbs	19.5 Kg / 43.0 lbs	21.5 Kg / 47.4 lbs
Display Size	15 inches	17 inches	19 inches
Panel Type	Active Matrix TFT LCD	Active Matrix TFT LCD	Active Matrix TFT LCD
Resolution Capabilities	Maximum Resolution up to 1024 x 768 (XGA)	Max. up to 1280 x 1024 (SXGA)	Max. up to 1280 x 1024 (SXGA)
Pixel Pitch	Supports 0.297 mm x 0.297 mm	Supports 0.264 mm x 0.264 mm	Supports 0.098 mm x 0.294 mm
Viewing Angle (CR>10)	Right-Left view 130° (Typ) Up-Down View 100° (Typ)	Right-Left view 176° (Typ) Up-Down View 170° (Typ)	Right-Left view 140° (Typ) Up-Down View 140° (Typ)
Contrast Ratio	400 : 1	450 : 1	500 : 1
Brightness	White 250 cd/m ² (Center 1 point Typ)	White 300 cd/m ² (Center 1 point Typ)	White 300 cd/m ² (Center 1 point Typ)
Back Light	Dual Lamps for Back Light	Four Lamps for Back Light	Four Lamps for Back Light
Supported Colors	16M Colors (6-bit with FRC)	16.7M Colors (8-bit with FRC)	16.7M Colors (8-bit with FRC)
Response Time	Rising Time 5 ms, Decay Time 11 ms	Rising Time 2 ms, Decay Time 14 ms	Rising Time 2 ms, Decay Time 10 ms
Power Consumption	16 W, 10.41 W for Panel	25 W, 19.05 W for Panel	25 W, 21.05 W for Panel
Signal Cable	CAT5 / 5E / 6 cable with T-Dongle-C		
Keyboard Mouse	106 key PS/2 keyboard with touch pad		
Sync	45 ~ 80 KHz		
Power Source	100 ~ 240 VAC input		
Operating System	Dos, Microsoft Windows, Netware, Unix, Linux, MAC, SUN		
Temperature	Operate 0 ~ 50 °C / 32 ~ 122 °F Storage -20 ~ 60 °C / -4 ~ 140 °F		
Humidity	10% ~ 90% RH		
Chassis Construction	Heavy duty steel materials		
Keyboard Language	US, UK, German, French, Spanish, Italian, Portuguese, Dutch, Swiss, Belgium, Swedish, Norwegian, Danish, Japanese, Mandarin, Russian, Hebrew		

Specification

CAT5 KVM Switch		
Connector (All Female Types)	PC Port Connectors	8 / 16 / 32 x RJ-45
	Daisy Chain Connector	1 x HDDB 15-pin
	Power Connector	1 x AC Inlet
Max. Distance (KVM switch -- Host)	40 m (130 ft.)	
Daisy Chain Port	Support Daisy Chain function with 8-layer Bus topologies.	
PC selection	On Screen Display (OSD) Menu, Hot Key	
Security	Provide ACL (Access Control List) security function, store up to 8 independent controllable PC lists	
Multilingual OSD (On Screen Display) control	8 languages (English, France, German, Spanish, Italian, Russian, Japanese, Chinese)	

Options

- Color (Black / Beige / OEM color)
- DC power (-48V ~ +48V and +-12V with additional cost)
- Additional SUN function key
- Rear bracket extension up to 1030mm
- Signal cable 1.8m / 3.0m / 5.0m
- IP module
- CAT5 module
- T-Dongle-C (KVM signal transmitter)
- R-Box (CAT5 KVM extender build in 2 to 1 OSD KVM switch)

Dimension

