

KBD-084TB

1U 19" rack mount keyboard drawer with Cherry trackball



KBD-084TB is designed to provide the industrial user with superior input quality and state-of-the-art features housed in a rugged industrial enclosure, which will assure reliable operation in most harsh environment. KBD-084TB connect to any common PS2 interface and are Plug-n-Play compliant.

Key
Lock

7
various
Keyboard

ROHS
Compliant

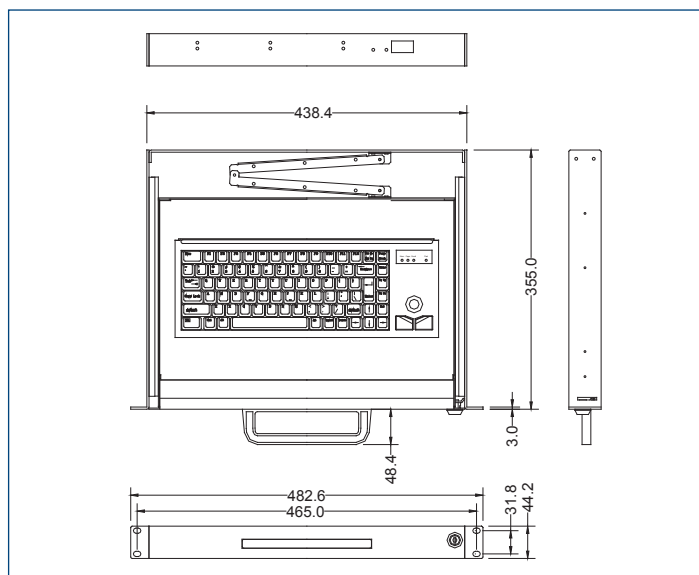
Features

- Heavy-duty steel
- Rugged design
- Special mechanism design for easy cabling
- Integrated with Industrial grade Cherry keyboard with trackball
- Keylock

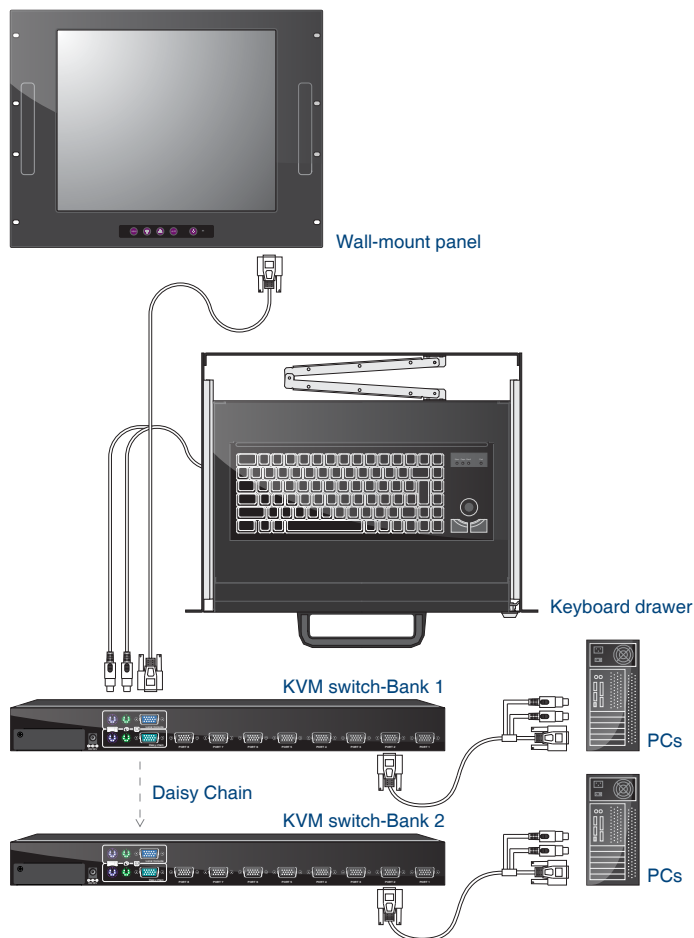
Specification

Model Name	KBD-084TB
Dimension	438.4x355x44 mm / 17.3x14.0x1.7 inches
Package Dimension	540x484x156 mm / 21.3x19.1x6.1 inches
Net Weight	6.0 Kg / 13.2 lbs
Gross Weight	7.0 Kg / 15.4 lbs
Drawer travel distance	305 mm / 12 inches
Chassis Construction	Heavy duty steel materials
Keyboard Language	US, UK, German, Spanish, Italian, Belgium, French
System requirement	IBM PS/2 compatible operation system with PS/2 keyboard and Mouse ports

Dimension



Application



Ordering Guide

KBD-084TB-BLK	1U Keyboard drawer with Cherry Trackball, Black color
KBD-084TB-BGE	1U Keyboard drawer with Cherry Trackball, Beige color