

KBD-105TP

Cost effective 1U 19" rack mount keyboard / mouse drawer



KBD-105TP is designed to provide the industrial user with superior input quality and state-of-the-art features housed in a rugged industrial enclosure, which will assure reliable operation in most harsh environment. KBD-105TP connect to any common PS2 interface and are Plug-n-Play compliant.



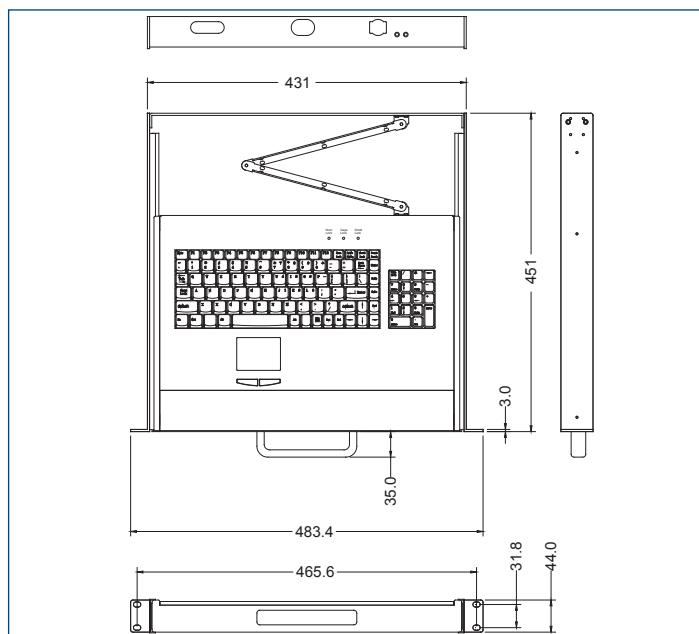
Features

- Cost effective keyboard drawer
- Replaceable keyboard design
- Support 5 various keyboard languages
- 1U rack space
- Easy to install

Specification

Model Name	KBD-105TP
Dimension	431 x 451 x 44 mm / 17.0 x 17.8 x 1.7 inches
Package Dimension	544 x 584 x 153 mm / 21.4 x 23.0 x 6.0 inches
Net Weight	6.0 Kg / 13.2 lbs
Gross Weight	8.0 Kg / 17.6 lbs
Chassis Construction	Heavy duty steel materials
Keyboard Language	US, UK, German, French, Spanish, Italian, Portuguese, Dutch, Swiss, Belgium, Swedish, Norwegian, Danish, Japanese, Mandarin, Russian, Hebrew

Dimension



Application

