

KBD-106TP

1U 19" rack mount keyboard / mouse drawer



KBD-106TP is designed to provide the industrial user with superior input quality and state-of-the-art features housed in a rugged industrial enclosure, which will assure reliable operation in most harsh environment. KBD-106TP connect to any common PS2 interface and are Plug-n-Play compliant.



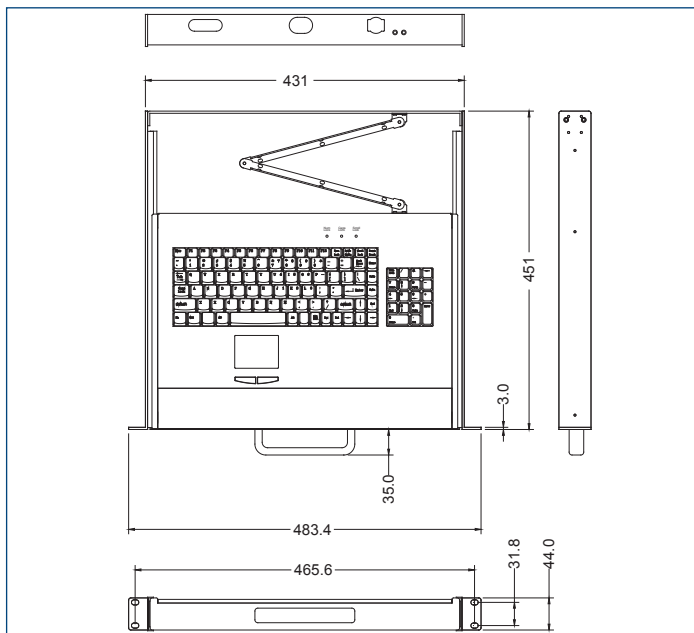
Features

- Support 17 various keyboard languages
- 1U rack space
- Easy to install
- Sun Keyboard (optional)

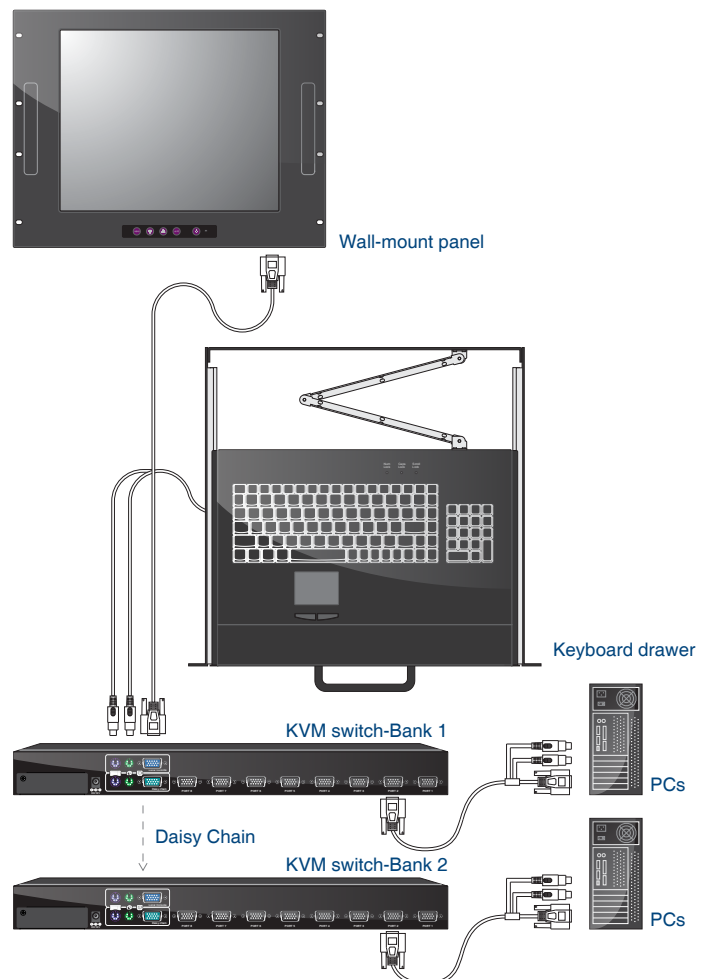
Specification

Model Name	KBD-106TP
Dimension	431 x 451 x 44 mm / 17.0 x 17.8 x 1.7 inches
Package Dimension	544 x 584 x 153 mm / 21.4 x 23.0 x 6.0 inches
Net Weight	6.0 Kg / 13.2 lbs
Gross Weight	8.0 Kg / 17.6 lbs
Chassis Construction	Heavy duty steel materials
Keyboard Language	US, UK, German, French, Spanish, Italian, Portuguese, Dutch, Swiss, Belgium, Swedish, Norwegian, Danish, Japanese, Mandarin, Russian, Hebrew

Dimension



Application



Ordering Guide

KBD-106TP	1U Keyboard drawer, Touchpad
KBD-106TP-USB	1U Keyboard drawer, USB interface
KBD-106TP-SUN	1U Keyboard drawer, Sun function key and USB interface