

■ ■ TA8761UX Cat.6 UTP Keystone Jack

■ Specification:

Unscreened Category 6 Connecting Hardware

According to: TIA/EIA -568-B.2-1
IEC 60603-7-4 (Unshielded)
ISO/IEC 11801 2nd edition

Unscreened Category 6A

According to: TIA/EIA -568-B.2-10

■ Physicals:

Housing: PC, UL94V-0

PCB module

Insertion: PBT UL94V-0

Contact: Ø0.46mm phosphor bronze gold over nickel plating

IDC Termination for Cable: Accept AWG23/1~26/1 solid wire

Terminal: 0.4mm phosphor bronze tin plating

IDC holder: PC, 94V-0

PCB: FR4 1.0mm thickness

Cap: PC, UL 94V-0

Door: PC, UL 94V-0

■ Patented:

US : D552,551 S 2007/10/09



TA8761UT

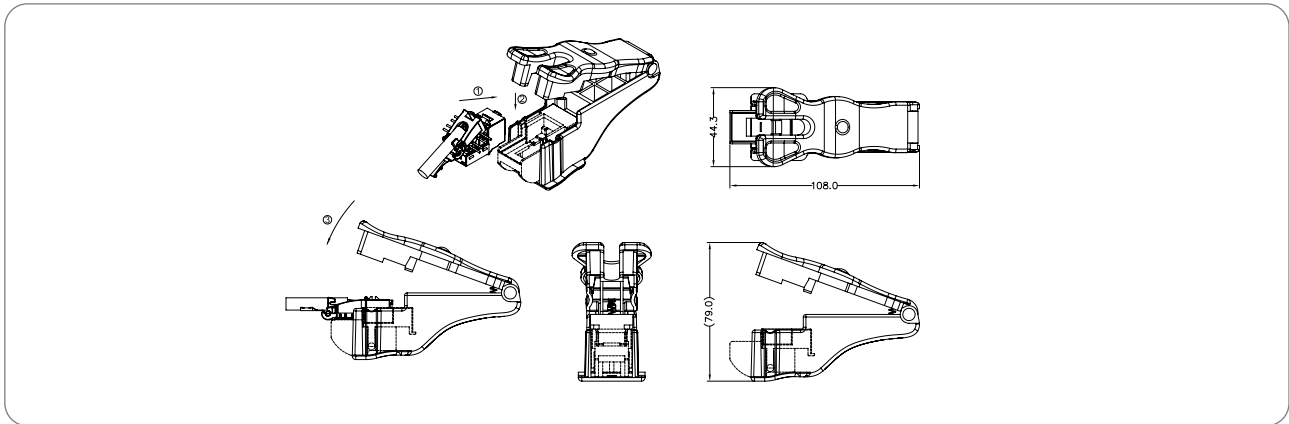


TA8761UD



Factory full compliance!

HT87X8 Cable Crimp Tool for TA87



Specification:

BASE: PBT+15%GF UL 94V-0
 COVER: PBT+15%GF UL 94V-0
 HOLDER: ABS+PC UL 94V-0
 SHAFT: STEEL NI PLATING
 SPRING: SUS304



HT87X8

