



TOPCOM TECHNOLOGY CO., LTD.

Specification for Power bank

Suitable for most digital devices with DC 5V input



Date : 2011/11/15

From : Linda Lin

HEADQUARTER:

TOPCOM TECHNOLOGY CO., LTD

ADDRESS : No.99-9, Sec 1, Huanjung Rd,
Taichung 40672, Taiwan

TEL : 886-4-24228026

FAX : 886-4-24228415

www.topcomtech.com.tw

FACTORY:

TOPCOM TECHNOLOGY SHENZHEN CO.,
LTD

ADDRESS: 4F, Building E, Zhongxi Industrial
Park, Tongyu Industrial Zone, Buyong
Village, Shajing Town, Baoan District,
Shenzhen City, Guangdong Province,
China

TOPCOM TECHNOLOGY CO., LTD.
UNIVERSAL POWER BANK *Page:1/7*

INDEX

1.Subject.....	2
2.Product Specification.....	2
3.Features	3
4. Operation Instruction	3~4
5. Problems and Solutions.....	5
6. Caution	5
7. Limited Warranty.....	5
8. Accessories.....	5
9. Package.....	6

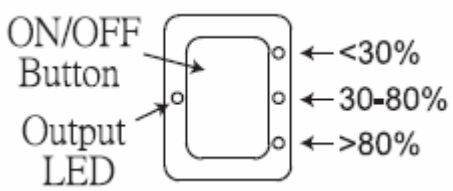
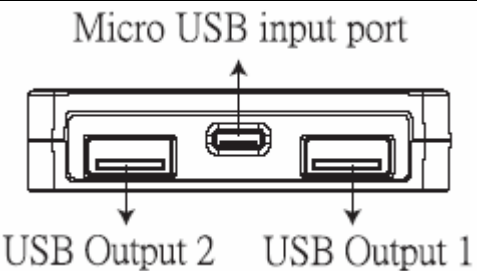
TOPCOM TECHNOLOGY CO., LTD.

UNIVERSAL POWER BANK Page:2/7

1. Subject

This power bank is mainly for charging when the portable products are with less power. Can be used to charge anytime, anywhere and be the good friend of people.

2. Product Specification

Model	PB-5200
Input Voltage	DC 5V
Input Current	500 / 1000 mA
Output Voltage	DC 5.1V
Output Current	2.1A (Max.)
Power/ Capacity Indicator	
Input / Output Port	
Dimension (mm)	102*66*16

- The system is built-in smart IC controller to automatically detects the input power and selects proper current 500mA or 1000mA to charge the power bank. it will automatically detect the connected power supply capacity before charging. When the power capacity of equipment more than 1000mA, the power bank will accept the charge with 1000mA, if the supply capacity is less than 1000mA, the power bank will accept the charge via 500mA. The system refuses to charge the power bank if output voltage is under 5V or current under 500mA.
- Required Environment
 - * Operating Temperature : 0-40°C
 - * Operating Relative : 5~95%RH
 - *:Storage Tmperature : -20~85°C

TOPCOM TECHNOLOGY CO., LTD.

UNIVERSAL POWER BANK *Page:3/7*

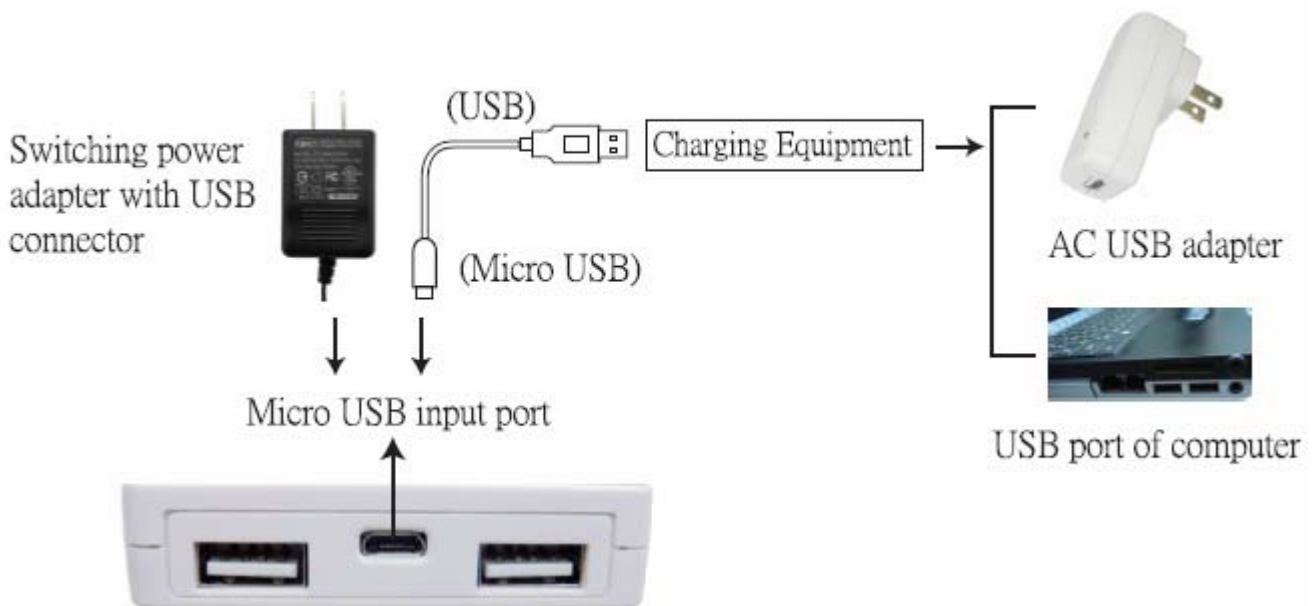
3. Features

- Built-in high-tech, high efficiency cells, powerful with long cycle life.
- One or two USB ports to allow charging one or two devices simultaneously..
- Allow the power bank to charge digital devices while the power bank is charged.
- Double protection design: One for battery, other one for system with over charge, over voltage, over current and short circuit protection.
- Intelligent display of LED to indicate the charging status and power levels.
- Suitable for most digital devices with DC 5V input, such as tablet PC 、 smart phone 、 iPhone 、 iPod 、 MP3 、 MP4 、 GPS 、 PSP..etc.

4. Operation Instruction

How to recharge power bank

1. Charging Equipment : USB port of computer, AC USB adapter, Switching power adapter with USB connector.
2. Connect the cable to the power sources and power bank (Photo 1)
3. In 5 seconds after connection, one power level LED flashes to indicate the power bank is charged properly. After fully charged, 3 LEDs turn to solid light.



TOPCOM TECHNOLOGY CO., LTD.

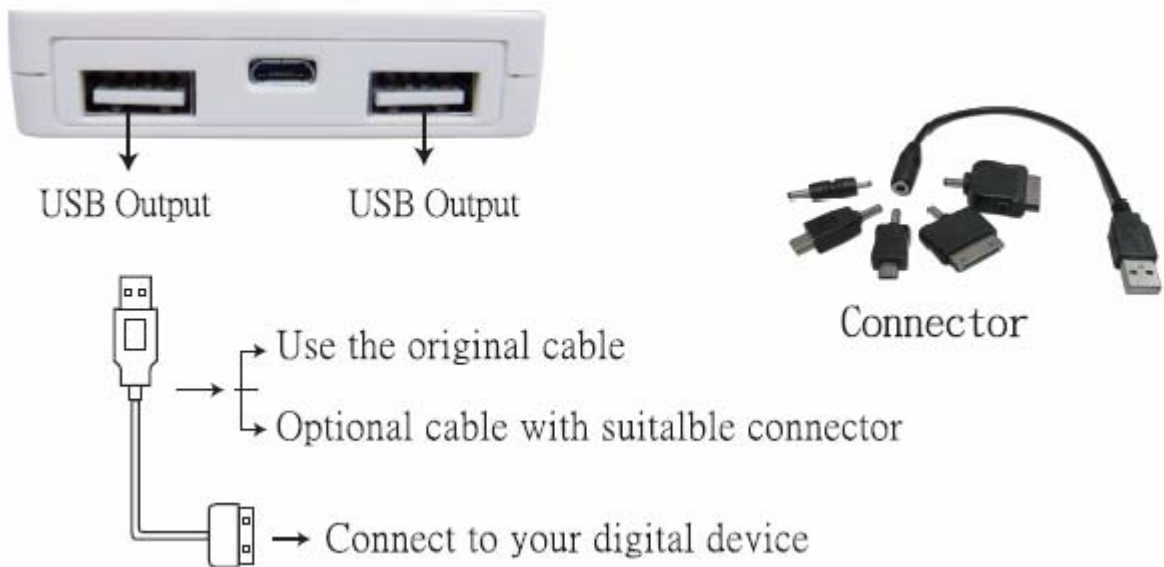
UNIVERSAL POWER BANK *Page:4/7*

How to charge your digital device

1. Use the original cable or optional cable with suitable connector.
2. Connect the cable to the power bank and your digital device (As below photo)
3. Press the on/off button to check the charging status

Charging status indication:

1. Power indicator: the power LED lights up to indicate power bank is functioning well.
2. Power capacity Indicator : The power capacity LEDs light up according to the possess power capacity. All lights off means it runs out of power.



- If 3 Power capacity LEDs flash , it indicates the power sources is not proper for charging, try other power sources.
- The power bank can charge two devices simultanesouly. Hower, when one device draws certain amount power 2A~2.1A,such as iPad, you may not able to use both USB port. If ouput cuttrent is over 3A, it may deactivate the power bank and all the lights off. If this occurs, just disconnect your digital devices and charge the power bank to reset it.

TOPCOM TECHNOLOGY CO., LTD.

UNIVERSAL POWER BANK *Page:5/7*

5. Problems and Solutions

Unable to charge the power bank

1. The charging equipment is not correct , please use correct power equipment.
2. Make sure the power source with output DC 5V 500~1000mA.
3. Confirm the charging equipment is connected to the Micro USB correctly.
4. The charging equipment may not work. Please try other proper equipment.
5. If any of the above doesn't work, please contact your reseller.

Unable to charge your digital device

1. The power bank is not compatible with your digital device. Make sure your device supports charging with input 5V power.
2. Check the connection.
3. The USB cable or connector may be damaged. Please replace with new ones.
4. The remaining power of power bank is too low to charge the device. Please charge the power bank first.
5. If any of the above doesn't work, please contact your reseller.

6. Caution:

1. Before initial use, fully charge to activate the battery.
2. Keep away from fires and water.
3. Avoid impact.
4. Do not disassemble the product.

7. Limited Warranty

The limited warranty is for the product only to the person who originally purchased the product from the reseller or distributor. The manufacturer would fulfill the warranty obligation according to the local warranty policy in which you purchased our products. The limited warranty doesn't cover the products that has been subjected to abuse, accident, alteration, modification, misuse, and exposure of grease, dust, or high temperature and humidity.

8. Accessories

Charging cable *1 pcs

TOPCOM TECHNOLOGY CO., LTD.
UNIVERSAL POWER BANK *Page:6/7*

9.Package

