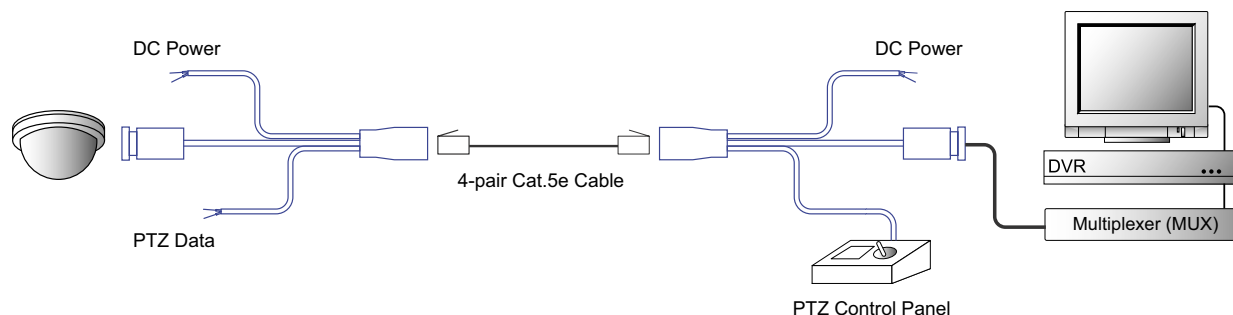
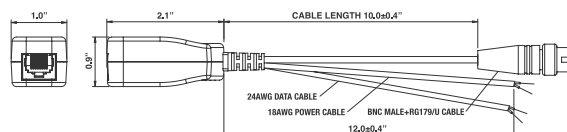


BL3315-5 Single Channel Passive Video/Power/Data Transceiver



BL3315-5

Single channel passive Video/Power/Data transceiver



Specification:

Environment	TV (CCTV) equipment for security and surveillance.
Bandwidth	Video: DC to 8MHz
Video Signal	1.1Vp-p
Impedance	Input: 75 ohms (BNC male connector side) ; Output: 100 ohms (UTP RJ45 connector side)
Insertion Loss	<1 dB, Frequency range from DC to 8 MHz
Return Loss	-20dB, Frequency range from DC to 8 MHz
Common Mode Rejection	-50dB, Frequency range from DC to 8 MHz
Max. Distance Color Video	Cat.3 --- 1200 ft (365m) ; Cat.5 --- 2200 ft (670m)
Max. Distance B&W Video	Cat.3 --- 1500 ft (457m) ; Cat.5 --- 2500 ft (762m)
Max. Distance Power	(Please see Voltage Drop List)
Max. Distance Data	1000ft / 304m
Cable - UTP	24 gauge or lower solid copper twisted pair wire
Temperature	Operating: 0 to 55°C ; Storage: -20 to 85°C
Humidity	Up to 95% non condensing
Enclosure	Fire retardant plastic, UL 94V-0
Dimensions	Size: 54.6mm(L) x 26mm(W)x 23mm(H) with 12.4" (315mm) data & power cable

Applications:

- Security and Surveillance
- Department Store Security
- Casino Security
- Hospitals and Airports
- School Campuses

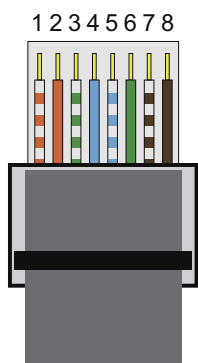
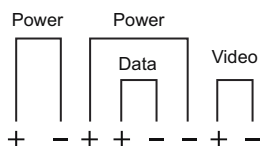
Features:

- Color video upto 2200 ft (670m) via Cat.5 UTP cable or better
- Cost saving
- Surge protected
- Converts Bi-directional signal
- Compact enclosure
- Support NTSC, PAL, and SECAM systems
- Video, camera power and data transmission over one standard UTP cable

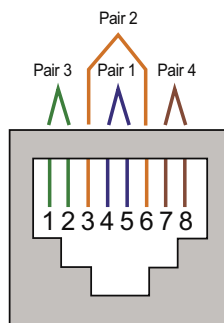
BL3315-5 Single Channel Passive Video/Power/Data Transceiver

Voltage Drop According to Cable Length (24AWG):

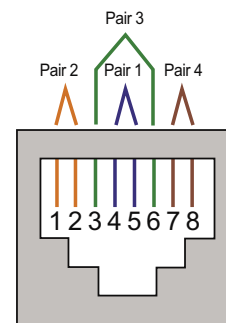
Transmission Distance	Transmission Voltage (12VDC, 0.5A)	Transmission Voltage (12VDC, 1A)	Transmission Voltage (12VDC, 1A).5
160ft / 50m	13.5V	15.5V	17.0V
320ft / 100m	15.5V	18.5V	22.0V
500ft / 150m	17.0V	22.0V	27.0V
650ft / 200m	18.5V	25.5V	32.0V



T568B



T568A



T568B