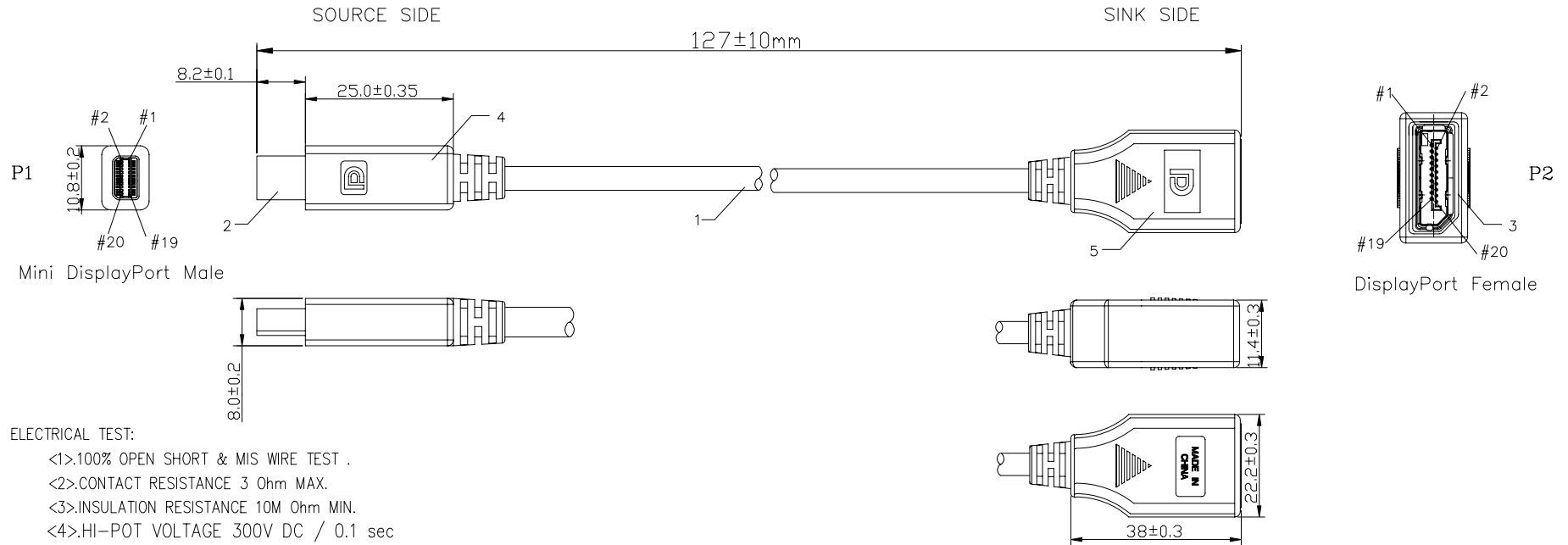


ROHS-COMPLIANT

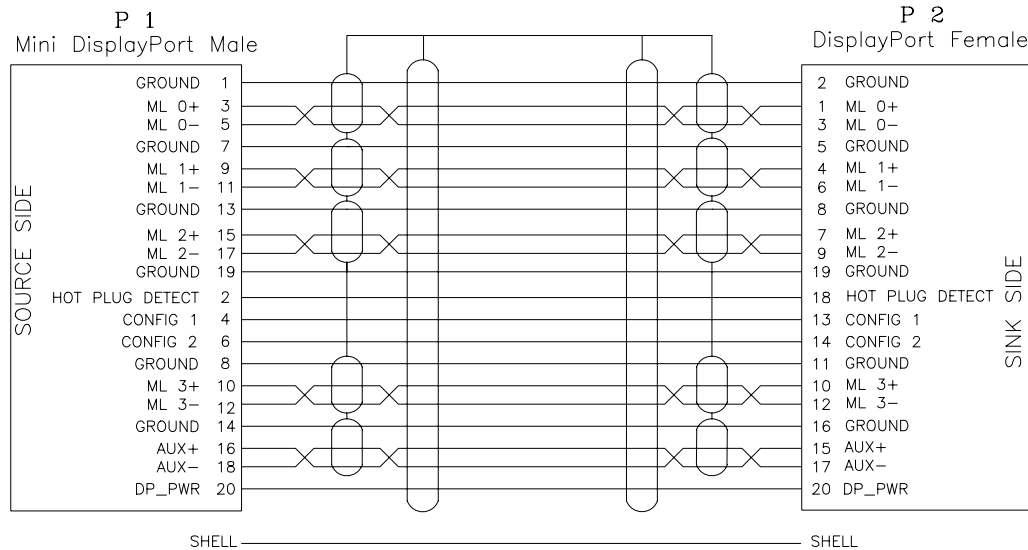
LTR	REV.	DESCRIPTION	DATE



ELECTRICAL TEST:

- <1>.100% OPEN SHORT & MIS WIRE TEST .
- <2>.CONTACT RESISTANCE 3 Ohm MAX.
- <3>.INSULATION RESISTANCE 10M Ohm MIN.
- <4>.HI-POT VOLTAGE 300V DC / 0.1 sec

SCHEMATIC DIAGRAM



NO.	PART	SPECIFICATION	REMARK
5	OVERMOLD	TPE, BLACK	
4	OVERMOLD	TPE, BLACK	
3	CONNECTOR	DisplayPort Female, Support Latch Mechanic	
2	CONNECTOR	Mini DisplayPort Male, Solder Type	
1	CABLE	TWISTED PAIR: 5 X [2X34AWG (7/0.06mm),STRANDED TINNED COPPER CONDUCTOR. WITH COLOR CODED PE INSULATOR. WIRES: 2X32AWG(7/0.08mm),STRANDED TINNED COPPER 3X34AWG(7/0.06mm),STRANDED TINNED COPPER OVERALL: ALUMINIZED SHIELD + TINNED COPPER DRAIN WIRE + BRAIDED TINNED COPPER SHIELD + BLACK TPE JACKET OD=5.0	

Tolerance Inch M/M			Best-Tek			
.X	.015	.30	Title			
.XX	.010	.10	MDP PLUG ---DP FEMALE CABLE			
.XXX	.005	.05	Make			
lixing 8/17			BF P/N: PDNMF127-347-H			
Check			App'd		Customer:	
Audit			Scale	NONE	Units	m/m
			Third Angle Projection			
			Dwg No. BF-0347		REV:A	Sheet 1/1