

POS

POS-6920

The Fanless 15" True Flat Touch POS Terminal

Features and Benefits:

- True Fanless Design with Dual-Core Atom D525
- 15" True Flat Touch Screen
- Bezel Free Front Panel
- All-in-One Slim Panel PC
- Small stand with Integrated Power Adapter
- HDD Easy Maintenance Design
- Optional MSR / i-Button / Fingerprint / VFD / 2nd Display
- Optional integrated Wireless LAN / RFID
- Wall-mountable VESA 100 x 100 Standard



Protech Systems Co., Ltd.

No. 24, Lane 365, Yang Goang Street, Nei Hu District Taipei 114, Taiwan
TEL: +886-2-8751-1111 FAX: +886-2-8751-1199
E-mail: sales@protech.com.tw
<http://www.protech.com.tw>

Protech Technologies Inc.

950 Fee Ana St, Suite B Placentia, CA 92870
TEL: +1-714- 996-7200 FAX: +1-714- 996-7300
Sales: sales@protech-usa.net
<http://www.protech-usa.net>

Protech Japan Co., Ltd.

OSK Bldg, 6F, 6-25-14, Minami-ohi Shinagawa-ku, Tokyo, 140-0013
TEL: +81-3-5753-8411 FAX: +81-3-3763-9282
E-mail: sam@protech-j.com
<http://www.protech-j.com>

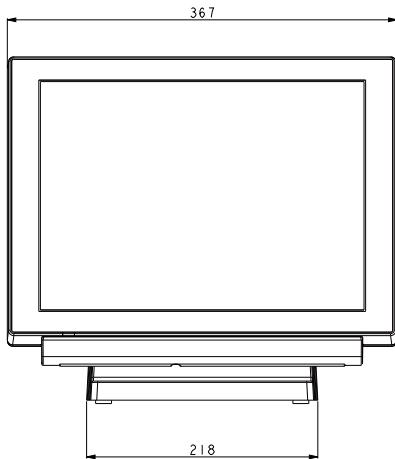


ISO CERTIFIED
9001 14001

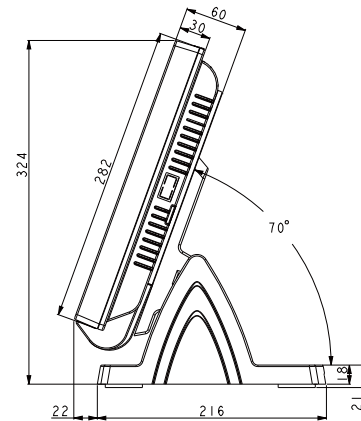
POS-6920

The Fanless 15" True Flat Touch POS Terminal

Front View



Side View



Unit: mm

Specification

System	
CPU Support	Intel® Atom™ D525 CPU
Memory	1 x DDR3 SO-DIMM Slot, Default 1GB (up to 4GB)
Core Logic	Intel® ICH8M
Network	10/100/1000 Base-T Fast Ethernet
Power Supply	72 watt power adapter
System Weight	7 kg
Dimension (W x H x D)	368 x 327 x 238 mm (14.7" x 13.1" x 9.5")
O.S. Support	POSReady2009 / POSReady7 / WINXP / WIN7

Storage

HDD	1 x 2.5" SATA HDD
SSD	Optional Half-Slim SSD
CF	Bootable Compact Flash slot for CF type I/II storages

I/O Ports

USB	4 x USB 2.0 ports / 1 x USB 2.0 on side bezel
Serial Ports	2 x DB-9 (COM 2/3), 1 x RJ45 (COM 1), +5V/12V selectable
PS/2	1 x PS/2 ports (default at keyboard)
LAN	1 x RJ-45
VGA	1 x DB-15 VGA interface
Cash Drawer	1 x RJ11 (+12V or +24V selectable)(default at +24V)

Display

LCD	15" TFT LCD
Max. Resolution	1024 x 768
Brightness	250 cd/m ²
Touch Screen	True Flat 5-wire Analog resistive
Tilt Angle	0 ~ 68 degrees

Environment

EMC & Safety	CE / FCC
Operating Temp.	0 ~ 35° C
Storage Temp.	-20 ~ 60° C
Humidity	20 ~ 90%

Ordering Information

PA-6151RA-A1B	POS-6920 with ELO True Flat Resistive Touch, 72W Power Adaptor
PA-6151RZ-23A	DDR3 2G / 2.5" HDD
PA-3151RZ-51B	MSR, JIS-I or II, ISO Track1+2+3 (PS/2 interface)
PA-6151RZ-32A	ISO, 14443A, Mifare® Class / UltraLight , Mifare® PRO, DESfire, DESfire EV1
PA-6151RZ-33B	Fingerprint(USB interface)
PA-6151RZ-41B	Vacuum Fluorescent Display, 20 columns and 2 lines, each column is 5 x 7 dots
PA-6151RZ-43B	10.4" 2nd Display (800 x 600)
Color	Black
OS	POSReady2009 / POSReady7 / WINXP / WIN7

All of trademarks and brand names are the property of their owners. Trademark "Protech" is the property of Protech Systems Co., Ltd. All information contained in this document is subject to change without any prior notice. This catalog is copyrighted in May 2012.