



# EC series

## Cost effective single rail 17" / 19" LCD console

EC series single rail LCD console provides more competitive price and more flexible combination. It keeps all original characteristic of single rail LCD console, easy to install and use. It saves cost and strengthens your competitive ability.



## Features

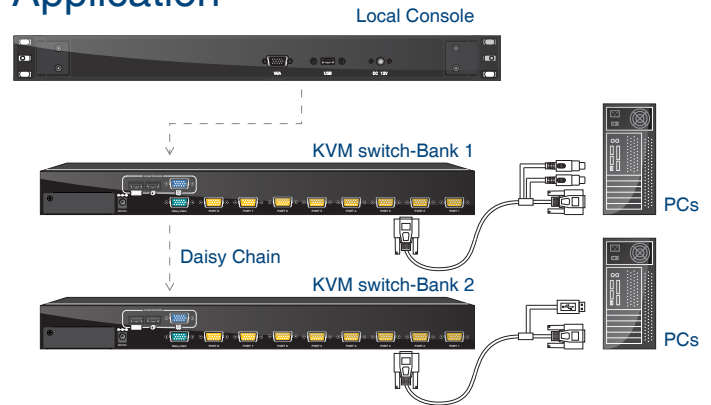
- Cost effective LCD console
- International keyboards for optional
- Single rail easy to install and use
- Bright Active Matrix TFT display
- OSD function (On Screen Display) for LCD display
- Support USB interface

## Options

Color (Black / Beige / OEM color)

Singal Cable 1.8m / 3.0m / 5.0m

## Application



## Specification

Model Name	EC 17	EC 19
System Connections	1	1
Dimension	515.1 x 445.6 x 43.7 mm / 20.3 x 17.5 x 1.7 inches	555.1 x 445.6 x 43.7 mm / 21.9 x 17.5 x 1.7 inches
Package Dimension	687 x 558 x 241 mm / 27.0 x 22.0 x 9.5 inches	727 x 558 x 241 mm / 28.6 x 22.0 x 9.5 inches
Net Weight	10.4 Kg / 22.9 lbs	11.2 Kg / 24.7 lbs
Gross Weight	18.0 Kg / 39.7 lbs	19.0 Kg / 41.9 lbs
Display Size	17 inches	19 inches
Power Consumption	25 W, 19.05 W for Panel	Active Matrix TFT LCD
Resolution Capabilities	Max. up to 1280 x 1024 (SXGA)	Maximum Resolution up to 1280 x 1024 (SXGA)
Pixel Pitch	Supports 0.264 mm x 0.264 mm	Supports 0.098 mm x 0.294 mm
Viewing Angle (CR>10)	Right-Left view 170° (Typ) Up-Down View 160° (Typ)	Right-Left view 170° (Typ) Up-Down View 160° (Typ)
Contrast Ratio	1000 : 1	1000 : 1
Back Light	White 250 cd/m <sup>2</sup> (Center 1 point Typ)	White 250 cd/m <sup>2</sup> (Center 1 point Typ)
Supported Colors	Dual Lamps for Back Light	Dual Lamps for Back Light
Response Time	16.7M Colors (8-bit with FRC)	16.7M Colors (8-bit with FRC)
Brightness	Rising Time 1.2 ms, Decay Time 3.8 ms	Rising Time 1.3 ms, Decay Time 3.7 ms
Operating System	Dos, Windows (3.1, 9x, 2000, NT4, ME, XP, 2003 Server) Linux, Novell 3.12-6, HP UX	
Connectors	1 x VGA HDB-15 pin 1 x USB 1 x DC Jack	
System Cables	1 x VGA and 1 x USB cable	
Keyboard Mouse	105 key keyboard with touch pad	
Sync	45 ~ 80 KHz	
Power Source	100 ~ 240 VAC input	
Panel Type	Active Matrix TFT LCD	
Temperature	Operate 0 ~ 50 °C / 32 ~ 122 °F Storage -20 ~ 60 °C / -4 ~ 140 °F	
Humidity	10% ~ 90% RH	
Chassis Construction	Heavy duty steel materials	
Keyboard Language	US, UK, German, French, Russian	

# Dimension

