

APC-3x97B

Engineering Specification

Version 0.2

2013/5/12

PM	Lily	
RD	Jason	
Sales	Sales	

Aplex Technology Inc.,

APC-3x97B

**12"/15"/17"/19" Fanless Total IP65 Intel Atom D2550/N2600
Stainless Steel Panel PC**

Product Specifications

Version 0.2

Revision History

Reversion	Date	Author	Descriptions
0.1	2013/4/17	Lily Chiu	For Preliminary release.
0.2	2013/5/12	Lily Chiu	Change LCD to DLF-1523 V1 Power input DC 11~32V

TABLE OF CONTENTS

1 Feature	5
2 Serial Information	5
3 Hardware Specifications	5
3.1 Power	6
3.2 LCD	6
3.3 Touch screen	6
4 Mechanical Specifications	7
5 Dimensions	7
6 OS Support	7
7 Environmental Specifications	7

APC-3x97B

12"/15"/17"/19" Fanless Total IP65 Intel Atom D2550/N2600 Stainless Steel Panel PC

1. Features

- Fanless Design
- Intel® Atom™ Processor D2550/N2600
- Onboard 2GB DDR3 800 MHz
- 11~32V DC wide-ranging power input
- Total 6 sides IP 65
- 5-Wire Resistive Touch Screen

2. Serial Information

Serial Model	12.1"/15" 17"/19"	Touch Screen	MB	Fanless	Power Supply
		Resistive	SBC-7106		DC11~32V
APC-3x97B	V	V	V	V	V

3. Hardware Specifications

LCD	12.1" TFT LCD, 800x600 15" TFT LCD, 1024x768 17" TFT LCD, 1280x1024 (24bit LVDS by AD-6026) 19" TFT LCD, 1280x1024 (24bit LVDS by AD-6026)
Chip Set	Intel NM10 Express
CPU	Intel® Atom Processor D2550 (1M Cache, 1.8 GHz) Intel® Atom Processor N2600 (1M Cache, 1.6 GHz) option
MB	SBC-7106-D2550 R1.1-01 (601371061105) SBC-7106-N2600 R1.1-01 (601371061104) option
Memory	Onboard 2GB DDR3 800 MHz
Outside I/O port	Standard M12 I/O Connector <ul style="list-style-type: none"> ● 1 x M12 8pin for USB 1/2 ● 1 x M12 8pin for USB 3/4 ● 1 x M12 8pin for COM 1/RS-232/422/485 (Default RS-232) ● 1 x M12 8pin for COM 2/RS-232 ● 1 x M12 8pin for LAN ● 1 x M12 3pin DC Power
Storage	1 x 2.5" HDD space

Chassis Color	Stainless Steel
Graphic	Integrated Intel 3650

3.1 Power

Power Module	11~32V/DC on board
---------------------	--------------------

3.2 LCD

LCD Size	12.1"	15"	17"	19"
Brand	LITEMAX	NTK	AUO	AUO
LCD Model	DLF-1296 V1	DLF-1523 V1	G170EG01 V1	G190EG01 V1
Display Type	Color TFT LCD/LED Backlight	Color TFT LCD/LED Backlight	Color TFT LCD/LED Backlight	Color TFT LCD/LED Backlight
Resolution	800x600	1024 x 768	1280 x 1024	1280 x 1024
Colors	262K	16M	16.7M	16.2M
Contrast Ratio	300:1	800:1	1000:1	1000:1
Luminance (cd/m²)	350	400	350	350
Backlight Life Time	50,000hrs	50,000hrs	50,000hrs	50,000hrs
View Angle	H:140/V:110	H: 160/V: 145	H: 170/V:170	H: 170/V:160

3.3 Touch Screen

Brand	Higgstec			
TS control Board	Default RS-232 (Touch controller on board)			
Model (5 wire)	T121S- 5RB014N- 0A18R0-200FH	T150S- 5RB008N- 0A28R0- 150FH	T171S- 5RB005N- 0A25R0- 150FH	T190S- 5RB001N- 0A28R0-300FH
Type	Resistive Type			
Interface	RS-232			
Light Transmission	80%			
Other	NA			

4. Mechanical Specifications

Front Panel	399x324mm
Mounting	Support VESA 75x75Mount
Structure	Stainless Steel Chassis
Thickness	53mm
Gross Weight	TBD
Packing	PE

5. Dimensions

請 RD 評估髮線號數? 並請廠商提供樣品確認.
以新的外框與被蓋的結合評估設計, 暫不開被蓋凹槽. 螺孔先對應新設計的位置.



6. OS Support

Microsoft Windows 7 pro for embedded, Windows embedded standard 7

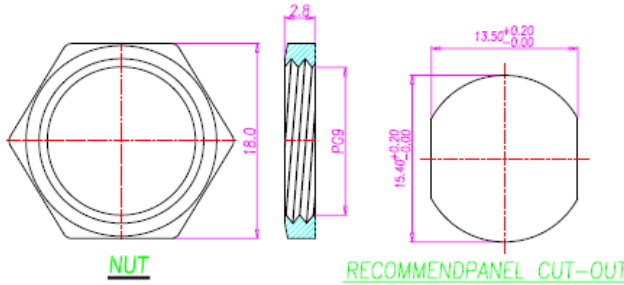
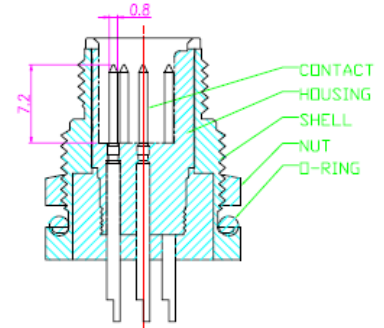
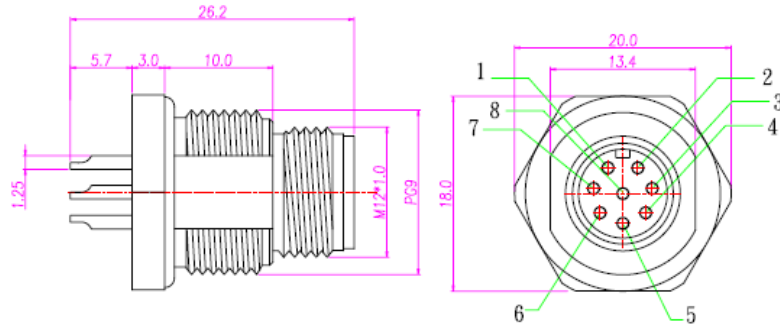
7. Environmental Specifications

Operation temperature	0~50(with HDD) -20~60 (with Industrial Storage)
Storage temperature	-20°C to 60°C
Operating humidity	10 to 90%@ 40°C, non-condensing
Certificate	Meet CE / FCC Class A
Waterproof / Dustproof	Total IP65

8. Accessory

Driver CD	SBC-7106 Driver CD	pcs	1
M12 LAN Cable	CB120(3m)	pcs	1
M12 COM Cable	CB121(3m)	pcs	2
M12 USB Y Cable	CB119(3m)	pcs	2
Power Adapter	12V 60W Power Adapter with M12 connector	pcs	1

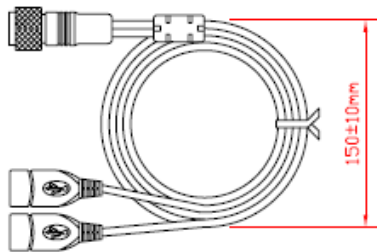
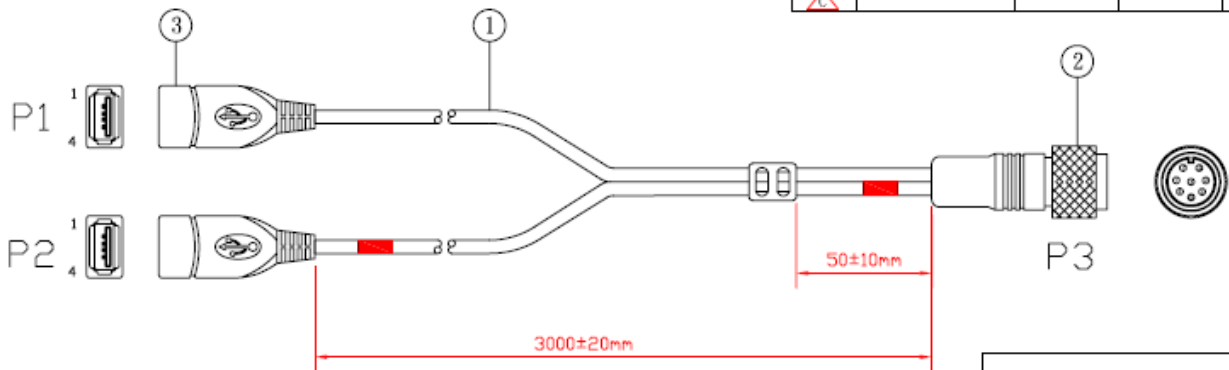
REV.	DESCRIPTION	APPROVED BY	DATE	ECN NO.
A				
B				
C				



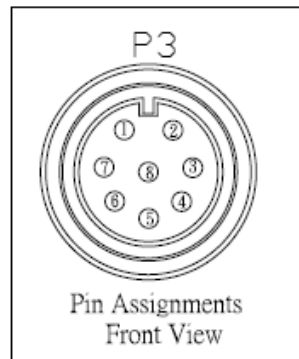
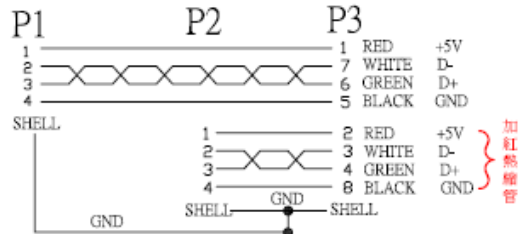
- MATERIAL :
 - 1-1. HOUSING : PBT UL94V-0 ; COLOR : BLACK
 - 1-2. CONTACT : BRASS
 - 1-3. NUT : BRASS
 - 1-4. SHELL : BRASS
 - 1-5. O-RING : NBR
- FINISH :
 - 2-1. CONTACT : 10 MICRO INCHES MIN. GOLD PLATED UNDER PLATE : NICKEL
 - 2-2. NUT : NICKEL PLATED 60u" ~ 100u" OVER ALL
 - 2-3. SHELL : NICKEL PLATED 60u" ~ 100u" OVER ALL
- ELECTRICAL SPECIFICATION :
 - 3-1. Rated current : 5A
 - 3-2. Rated Voltage : 125V
 - 3-3. Water proof : IPX7
- Environmental :
 - 4-1. Operation Temperature : -20℃~85℃

DRAWN	ZHOU	APPEND	Richard	UNIT	mm	TOLERANCE	茂磊企業有限公司 MAO LAI ENTERPRISE CO., LTD.	TITLE	M12 (M) PG9 面板插線(洗雙機)			SHEET
CHECKED	KENNY			SCALE	1:1	0.20 0.10 0.05 0.02 ANGLE 11°		PART NO.	WP-08M2-13	DWG NO.	QC4141	VERSION

REV.	DESCRIPTION	CHANG. BY	APPL. BY	DATE
A				
B				
C				

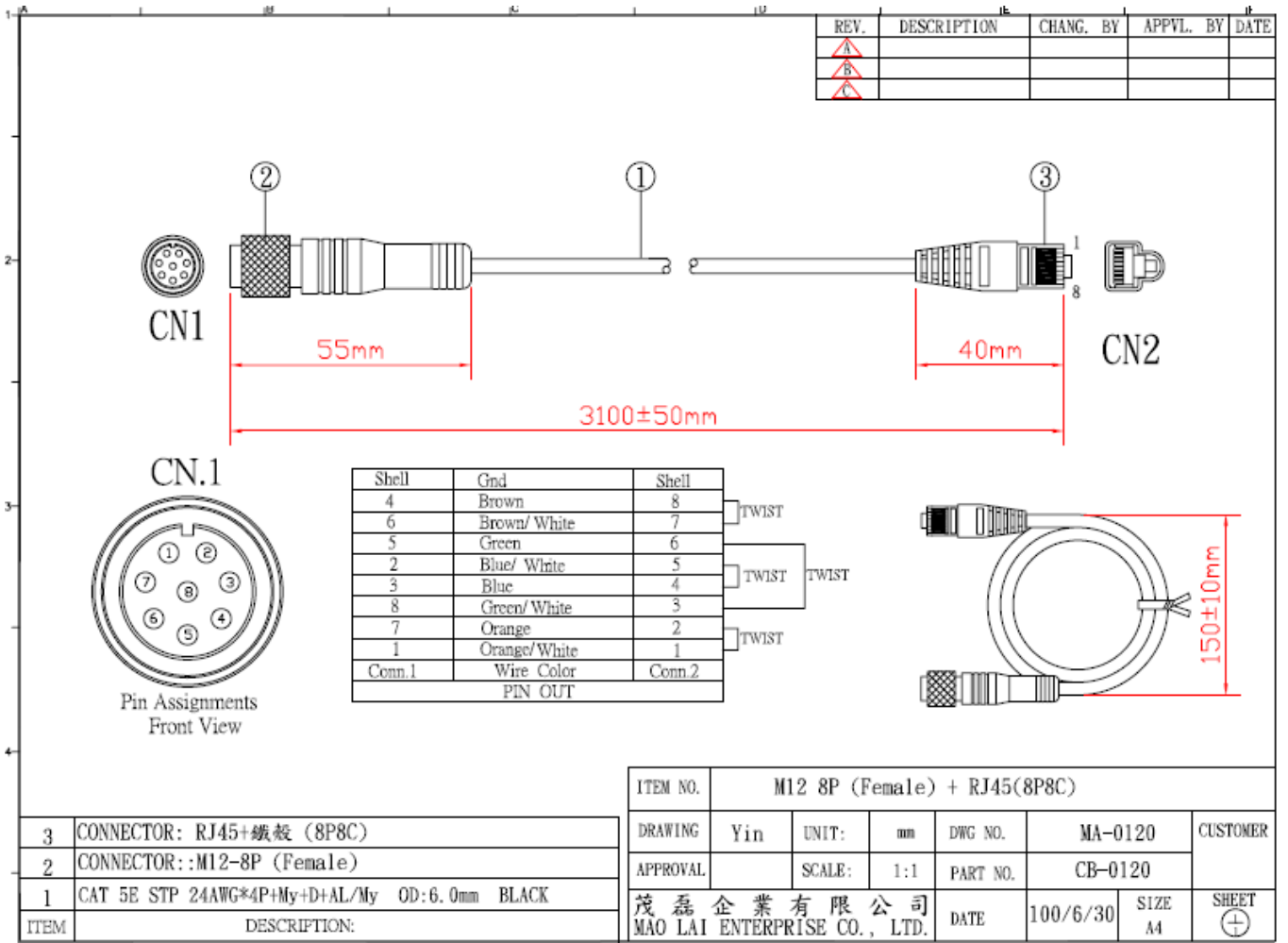


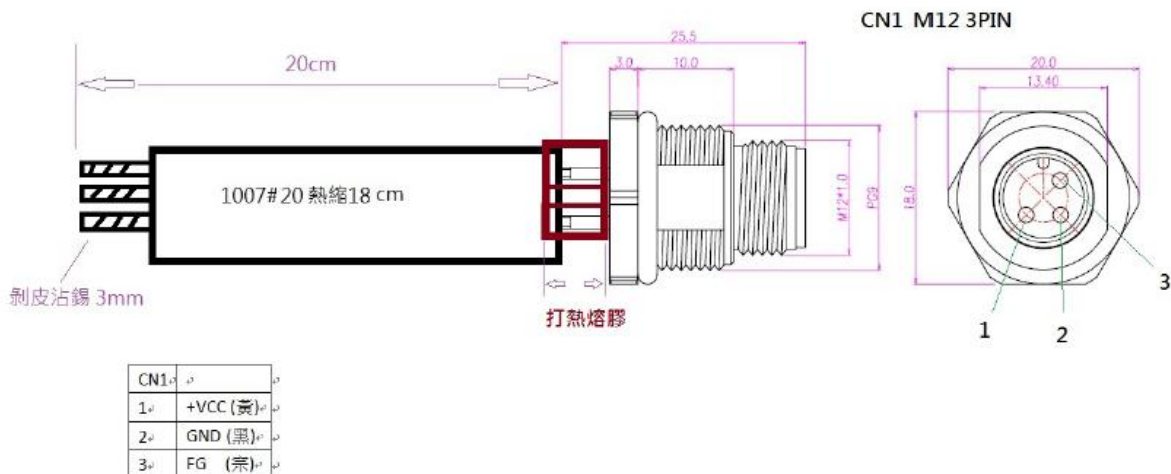
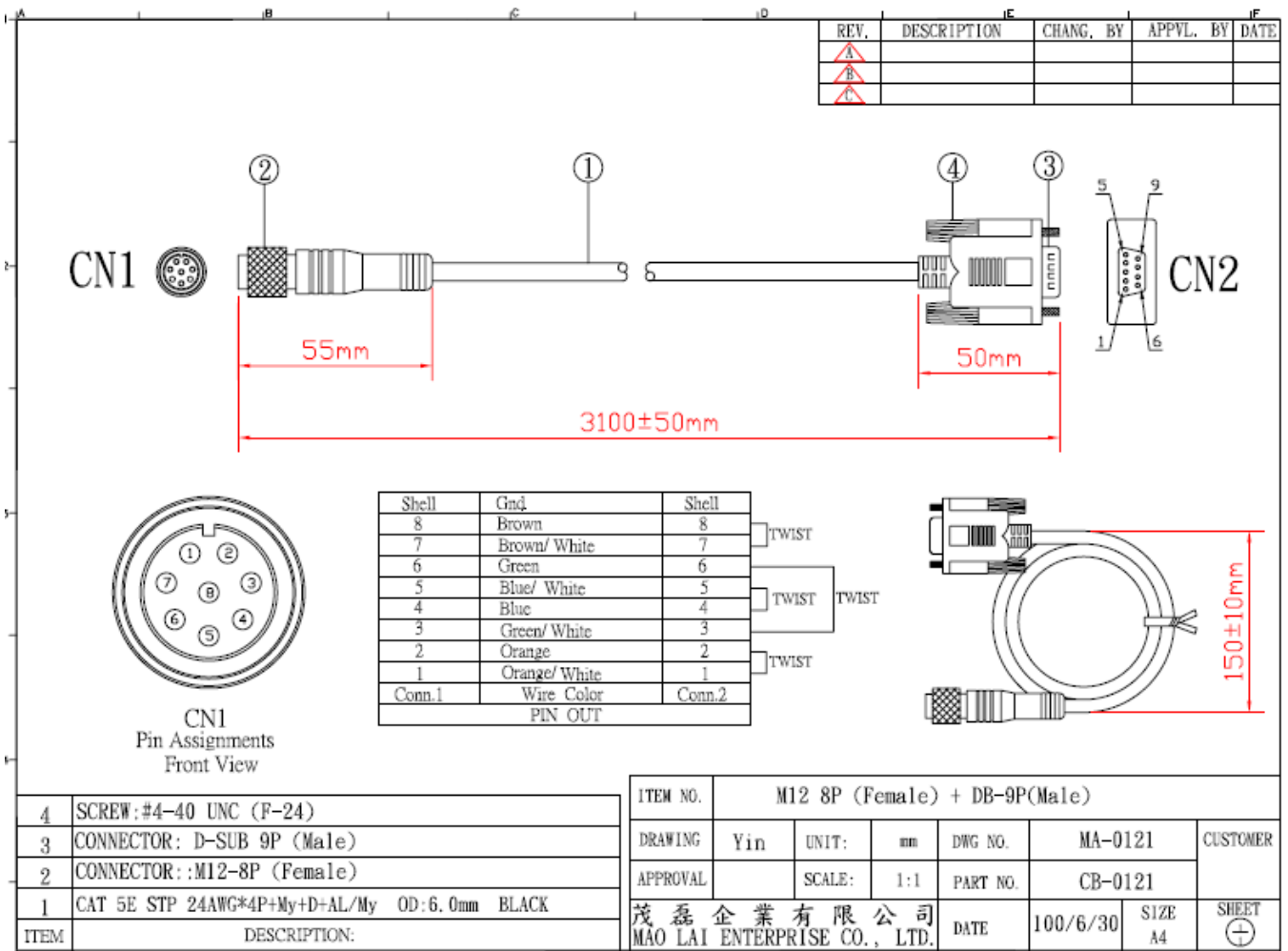
****WIRE CONNECTION****

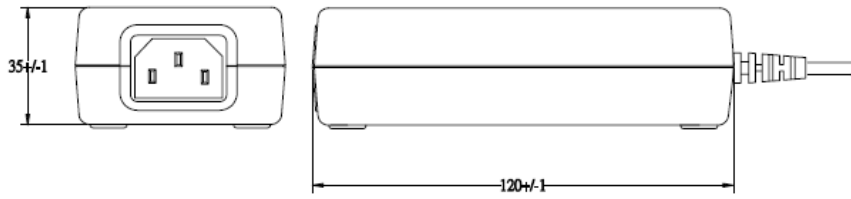
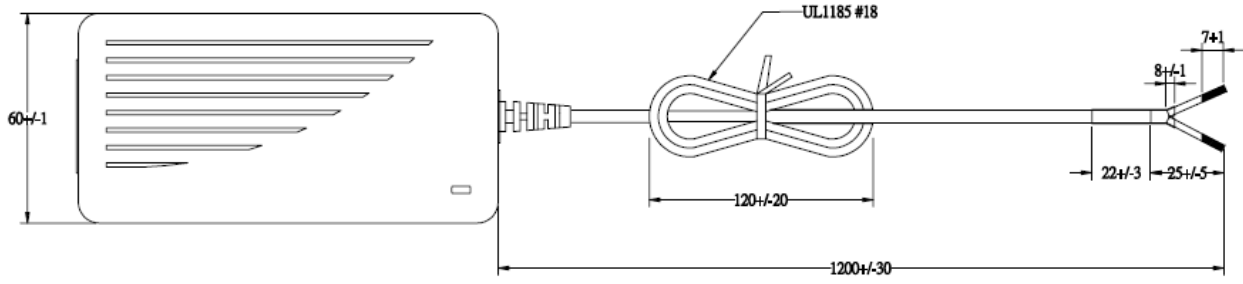


3	CONNECTOR:USB A TYPE (Female)
2	CONNECTOR:M12-8P(Female)
1	UL2725 24AWG*2C+28AWG*1P+AEB OD:4.5mm COLOR:BLACK
ITEM	DESCRIPTION:

ITEM NO.	M12-8P(Female) / USB A (Female) *2					
DRAWING	Yin	UNIT:	mm	DWG NO.	MA-0119	CUSTOMER
APPROVAL		SCALE:	1:1	PART NO.	CB-0119	
茂磊企業有限公司 MAO LAI ENTERPRISE CO., LTD.				DATE	100/06/30	SIZE A4
						SHEET ④







EDAC POWER ELEC.				APPROVED
MODEL	EA1050A(L189)	UNIT	mm	DESIGNED
color	BLACK	SCALE		CHECK
cus.		DATE	2011-01-10	DRAWING L.J.YU