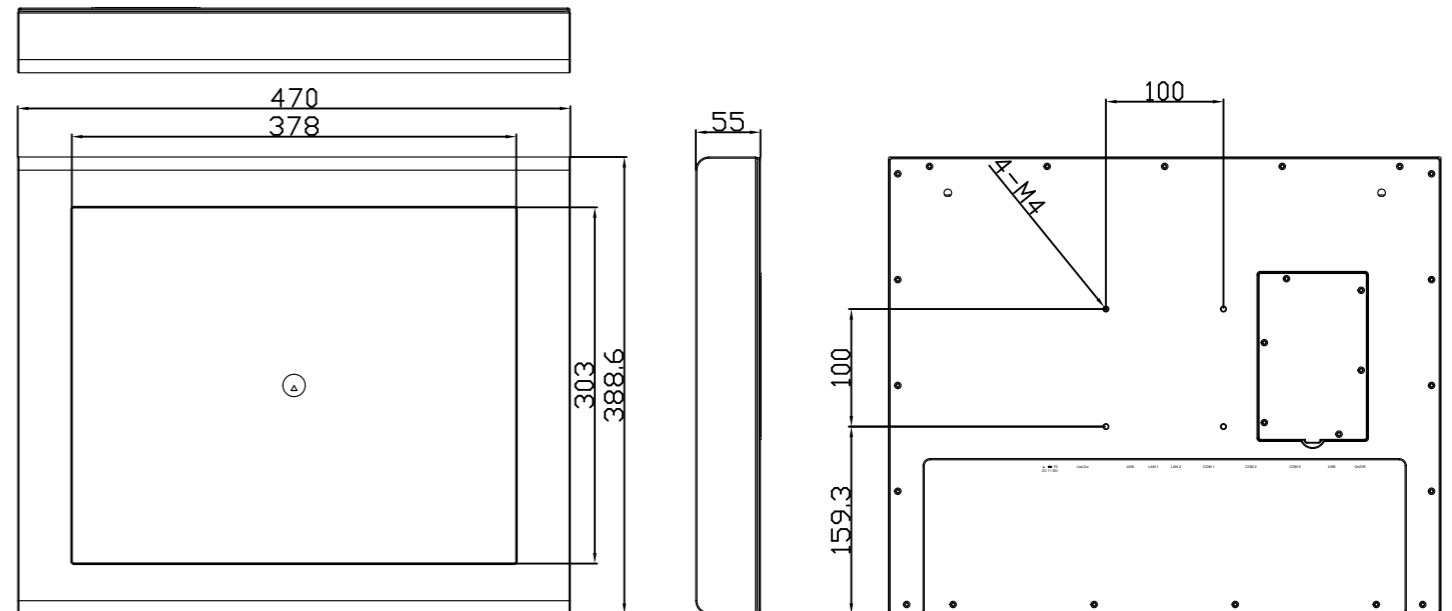


Features

- Intel Atom D2550 CPU support
- Fanless Design
- Resistive touch
- IP65 except I/O side
- Wide range DC 11~32V



Dimensions



Specifications

System	
Processor	Intel Atom Processor D2550 (1M Cache, 1.8 GHz)
System Chipset	Intel NM10 Express
System Memory	Onboard 2GB DDR3 800 MHz

IO Port	
USB	4 x USB 2.0 type A
Serial/Paralle	1 x RS-232/422/485 selectable default RS-485 DB9 1 x RS-232 DB9 1 x RS-422/485 selectable default RS-485 DB9
Audio	1 x MIC, Line-out, Line-in phone jack
Graph	None
LAN	2 x GbE RJ-45
Digital I/O	None
KB/MS	None
Membrane control	None
Power	1 x 3 pin terminal block connector 1 x Power switch

Storage Space	
HDD	1 x 2.5" SATA2
Movable device	1 x Internal SD slot

Expansion	
On board expansion bus	1 x Mini PCIe half size
Expansion slot	None

Display	
Display Type	19" TFT-LCD
Max. Resolution	1280 x 1024
Max. Color	16.7M
Luminance (cd/m ²)	350
View Angle	170/160
Contrast	1000:1
Backlight Lifetime	50,000

Touch Screen	
Type	Resistive option
Interface	RS-232
Light transmission (%)	80%

Power	
Power input	11~32V DC

Mechanical	
Construction	Stainless Steel
IP Rating	5 sides IP65
Mounting	VESA 100 x 100
Dimension	470 x 388.6 x 55
Net Weight	9.8

Environmental	
Operating temperature(°C)	0~50(with HDD) -20~60 (with Industrial SSD)
Storage temperature(°C)	-30~70
Storage humidity	10 to 90% @ 40°C, non- condensing
Certification	CE/FCC class A

Operating System Support	
Microsoft Windows 7 pro for embedded, Windows embedded standard 7	

Ordering information	
APC-3984A-01	19" SXGA 5 sides IP65 Intel Atom D2550 fan less panel PC, 2GB DDR3 memory 2.5" SATA2 320GB HDD, DC power input with adaptor, stainless steel enclosure