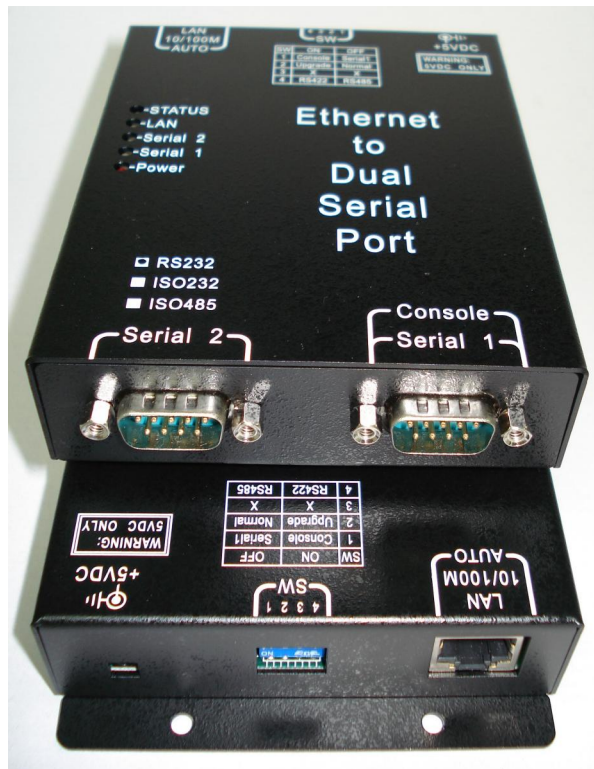


# ILOG200

## IP Monitored RS232 Sniffer

- ◆ 10/100Mbps LAN Connection
  - ◆ Monitor data flow in RS232 Serial Communication
  - ◆ Two virtual COM port to monitor



- ★ **Auto-detecting** 10/100Mbps Ethernet interface.
- ★ Support **Windows NT/2000/XP/Vista** virtual COM drive.
- ★ Support **Windows 7** virtual COM drive.
- ★ Support **UNIX & Linux real TTY** driver.
- ★ Support **TCP server/Client** mode.
- ★ Support **UDP send/receive** mode.
- ★ Support **WEB, TELNET and terminal** setup.
- ★ Support **RS232 sniff** Feature.
- ★ **Two virtual COM** port to monitor data transmission or trigger data transmission.

## **ILOG200 IP Monitored RS232 Sniffer Specification:**

### **Hardware Specification:**

- \*CPU: 32bit 100MHz MIPS CPU.
- \*Flash ROM: 16M Byte.
- \*SDRAM: 16M Byte.

### **LAN connection:**

- \*Interface: 10/100Mbps 100BaseT.
- \*connector: RJ45.

### **Software Compatibility:**

- \*TCP/IP or UDP/IP connection.
- \*WIN NT/2000/XP/Vista Virtual COM driver.
- \*Windows 7 Virtual COM driver.
- \*LINUX raw TTY driver.
- \*SCO UNIX real TTY driver.

### **Power Requirement:**

- \*5VDC @ 1200mA.

### **Environment :**

- \*Operating temperature: 5--40 °C.
- \*Operating humidity: 10--90% RH.
- \*Storage temperature: 0--65 °C.
- \*Storage humidity: 5--90% RH.

### **Dimension:**

92\*118\*27mm..

### **Serial port:**

- \*Interface: RS232.
- \*connector: DB9 male.
- \*Port Number: 2.
- \*speed: upto 230400bps.

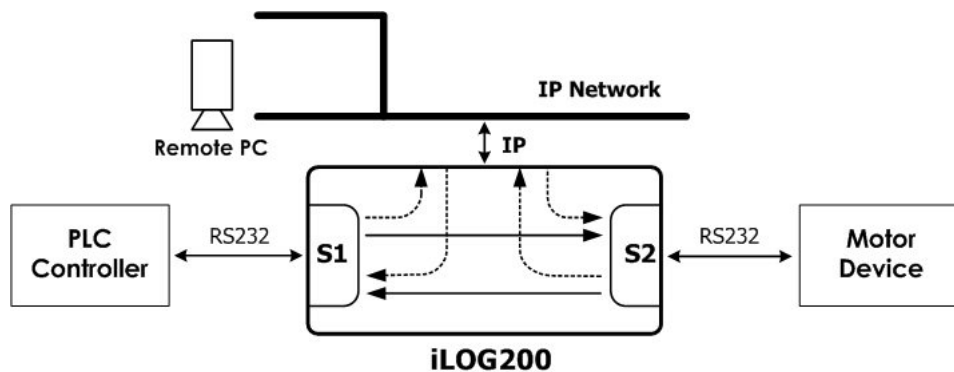
NOTE: console port share with serial port 1

NOTE: Any data received from serial port 1 will be sent to serial port 2 and virtual COM port 1. So we can monitor such data via IP network.

NOTE: Any data received from serial port 2 will be sent to serial port 1 and virtual COM port 2. So we can monitor such data via IP network.

NOTE: Any data from virtual COM port 1 will send to serial port 1. So we can trigger data communication via IP network.

NOTE: Any data from virtual COM port 2 will send to serial port 2. So we can trigger data communication via IP network.



### **Other relative product information:**

- \*APORT200: Ethernet to 2 RS232 port.
- \*APORT020: Ethernet to 2 Ground isolated RS232 port.
- \*APORT400: Ethernet to 4 RS232 port.
- \*APORT040: Ethernet to 4 Ground isolated RS232 port.
- \*APORT202: Ethernet to 2 RS232 and 2 Ground isolated RS422/485 port.
- \*APORT800: Ethernet to 8 RS232 port.

\*\*\*All names are the trademarks of their respective organization.



### **RAYON TECHNOLOGY CO., LTD.**

2F, No. 177, Chung Shan 2 Rd., Lu Chou city, Taipei Hsien, Taiwan.

TEL: 886-2-82858362 FAX: 886-2-82857065

E-Mail: [rayon@ms1.hinet.net](mailto:rayon@ms1.hinet.net)

WEB: <http://www.computex.com.tw/rayon>

WEB: <http://www.rayontech.com>