

# POS



## PA-6610

The One-of-a-kind  
Highly Integrated 10.4"  
RISC POS Terminal

### Features and Benefits:

- nVIDIA Tegra3 CPU & Android 4.1
- 10.4" LCD display with touchscreen
- Optional V.F.D. 20 columns and 2 lines
- Optional 2"/3" thermal printer
- Optional MSR. i-Button, fingerprint and RFID module
- Small footprint & Streamline design



**PROTECH SYSTEMS**

*It's the right choice*

### Protech Systems Co., Ltd.

No. 24, Lane 365, Yang Goang Street, Nei Hu District Taipei 114, Taiwan  
TEL: +886-2-8751-1111 FAX: +886-2-8751-1199  
E-mail: [sales@protech.com.tw](mailto:sales@protech.com.tw)  
<http://www.protech.com.tw>

### Protech Technologies Inc.

950 Fee Ana St, Suite B Placentia, CA 92870  
TEL: +1-714-996-7200 FAX: +1-714-996-7300  
Sales: [sales@protech-usa.net](mailto:sales@protech-usa.net)  
<http://www.protech-usa.net>

### Protech Japan Co., Ltd.

OSK Bldg, 6F, 6-25-14, Minami-ohi Shinagawa-ku, Tokyo, 140-0013  
TEL: +81-3-5753-8411 FAX: +81-3-3763-9282  
E-mail: [sam@protech-j.com](mailto:sam@protech-j.com)  
<http://www.protech-j.com>

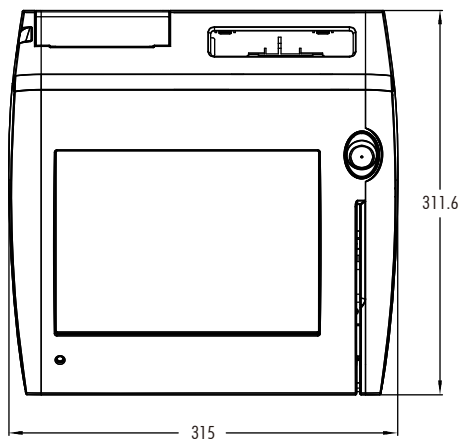
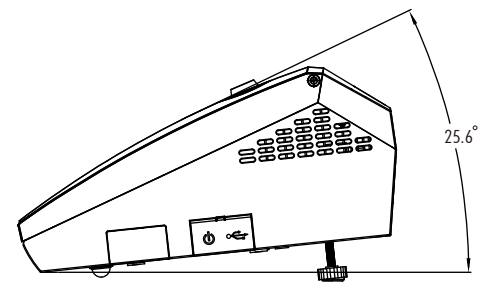


ISO CERTIFIED

9001 14001

# PA-6610

## The One-of-a-kind Highly Integrated 10.4" RISC POS Terminal

**Top View****Front View****Side View**

Unit: mm

**Specification**

System	
<b>CPU Support</b>	nVIDIA Tegra3 Quad Core 1.2GHz CPU
<b>Memory</b>	DDR3 1GB (on board)
<b>Flash</b>	8GB eMMC (on board)
<b>SD</b>	Standard SDHC (up to 32GB)
<b>Network</b>	10/100 Mbps Ethernet
<b>Audio</b>	1 x 2W speaker
<b>Cash Drawer</b>	1 x RJ11 Cash Drawer port (12V/24V)
<b>Power Supply</b>	30~72 watt power adapter
<b>System Weight</b>	4.5 kg
<b>Dimension (W x H x D)</b>	315 x 312 x 155 mm
<b>O.S. Support</b>	Android 4.1
<b>Customer Display</b>	Vacuum Fluorescent Display, 20 columns and 2 lines, each column is 5 x 7 dots
<b>Printer</b>	2" or 3" thermal printer with Auto cutter

**I/O Ports**

<b>USB</b>	3 x USB, rear x 2 (OTG/ type A), side x 1 (type A) 1 x DB-9 (Full COM x 1), 1 x RJ-45 (RX, TX, RTS, CTS), 2 x internal wafer (RX, TX, RTS, CTS), All support +5V/12V selectable
<b>Serial Ports</b>	
<b>LAN</b>	1 x RJ45 (10 /100Mbps)
<b>VGA</b>	1 x DB-15 (VGA)

**Display**

<b>LCD</b>	10.4" TFT LCD
<b>Max. Resolution</b>	1024 x 768 / 800 x 600
<b>Brightness</b>	300 / 230 cd/m <sup>2</sup>
<b>Touch Screen</b>	5-wire Analog resistive
<b>Tilt Angle</b>	24~30 degrees

**Environment**

<b>EMC &amp; Safety</b>	CE / FCC
<b>Operating Temp.</b>	0 ~ 35° C
<b>Storage Temp.</b>	-20 ~ 60° C
<b>Humidity</b>	20 ~ 90%

**Ordering Information**

<b>PA-6610RA-A0B</b>	10.4" POS Terminal with Tegra3 CPU, 8GB eMMC flash, 1GB DDR3 memory
<b>PA-6810RZ-2JA</b>	VFD, 20 columns and 2 lines
<b>52-002-11072302</b>	DC 24V/ 72 Watt Power Adaptor
<b>PA-6810RZ-42A</b>	3" Thermal Printer with Auto cutter
<b>PA-6810RZ-52A</b>	ISO Track1+2+3, JIS-I or II
<b>PA-6810RZ-61A</b>	RFID, ISO 14443A UID Reader
<b>PA-6810RZ-62A</b>	Mini PCIe Wireless LAN Module 802.11 b/g/n

All of trademarks and brand names are the property of their owners. Trademark "Protech" is the property of Protech Systems Co., Ltd. All information contained in this document is subject to change without any prior notice. This catalog is copyrighted in April 2013.