

# POS



## PA-6622

The One-of-a-kind  
Highly Integrated 10.4"  
POS Terminal

### Features and Benefits:

- Intel® Celeron® J1900 CPU
- 10.4" LCD display with touch
- Flexible design for versatile applications
- Optional 2"/3" easy loading thermal printer
- Optional MSR, i-Button & Fingerprint & RFID
- Small footprint and Streamline design



**PROTECH SYSTEMS**

*It's the right choice*

### Protech Systems Co., Ltd.

No. 24, Lane 365, Yang Goang Street, Nei Hu District Taipei 114, Taiwan  
TEL: +886-2-8751-1111 FAX: +886-2-8751-1199  
E-mail: [sales@protech.com.tw](mailto:sales@protech.com.tw)  
<http://www.protech.com.tw>

### Protech Technologies Inc.

950 Fee Ana St, Suite B Placentia, CA 92870  
TEL: +1-714-996-7200 FAX: +1-714-996-7300  
Sales: [sales@protech-usa.net](mailto:sales@protech-usa.net)  
<http://www.protech-usa.net>

### Protech Japan Co., Ltd.

OSK Bldg, 6F, 6-25-14, Minami-ohi Shinagawa-ku, Tokyo, 140-0013  
TEL: +81-3-5753-8411 FAX: +81-3-3763-9282  
E-mail: [sam@protech-j.com](mailto:sam@protech-j.com)  
<http://www.protech-j.com>

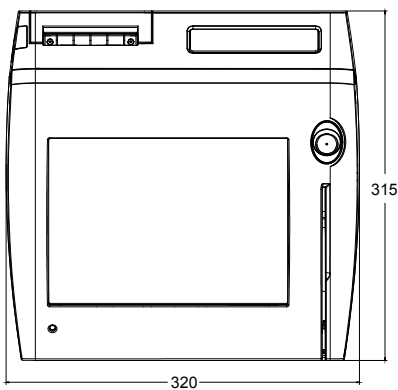
ISO CERTIFIED

9001 14001

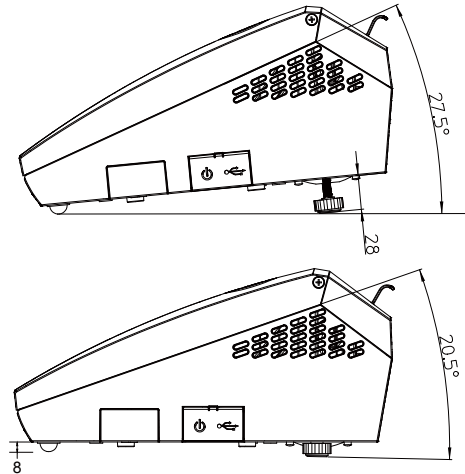
# PA-6622

## The One-of-a-kind Highly Integrated 10.4" POS Terminal

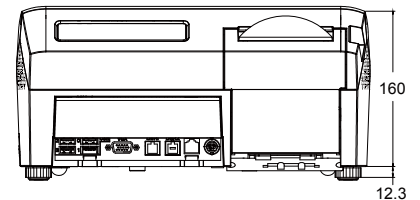
### Top View



### Side View



### Rear View



Unit: mm

### Specification

System	
<b>CPU Support</b>	Intel® Celeron® J1900 CPU
<b>Memory</b>	One Slot DDR3L SO-DIMM (up to 8GB)
<b>Network</b>	10/100/1000 Base-T Fast Ethernet
<b>Power Supply</b>	72~120Watt power adapter
<b>Audio</b>	2W speaker
<b>System Weight</b>	with power adaptor approx. 6kg
<b>Dimension (W x H x D)</b>	315 x 320 x 160 mm
<b>O.S. Support</b>	WIN8 / POSReady7

### Storage

<b>SATA</b>	1 x 2.5" HDD or SSD
<b>mSATA</b>	1 x SSD

### I/O Ports

<b>USB</b>	3 x USB on rear, 1 x USB on side bezel
<b>Serial Ports</b>	3 x DB-9 (+5V/ 12V selectable)
<b>eSATA &amp; USB</b>	1 x eSATA & USB
<b>LAN</b>	1 x RJ45
<b>VGA</b>	1 x DB-15
<b>Cash Drawer</b>	1 x RJ11 (+12V or +24V selectable)
<b>Optional</b>	1 x DB9 COM or 1 x DB-25 Printer Port

### Optional

<b>Customer Display</b>	VFD kit, 20 columns and 2 lines, each column is 5 x 7 dots
-------------------------	--

<b>Printer</b>	2" or 3" easy loading thermal printer with Auto cutter
<b>MSR &amp; iButton</b>	ISO I,II,III; JIS I,II and support information key
<b>RFID</b>	ISO14443A Read /Write; ISO18092 Read only
<b>Fingerprint</b>	8-bit grayscale, reader

### Display

<b>LCD</b>	10.4" TFT LCD
<b>Max. Resolution</b>	1024 x 768 / 800 x 600
<b>Brightness</b>	400 /230 cd/m <sup>2</sup>
<b>Touch Screen</b>	5-wire Analog resistive
<b>Tilt Angle</b>	24 ~ 30 degrees

### Environment

<b>EMC &amp; Safety</b>	CE / FCC
<b>Operating Temp.</b>	0 ~ 35° C
<b>Storage Temp.</b>	-20 ~ 60° C
<b>Humidity</b>	20 ~ 90%

### Ordering Informatio

<b>PA-6622RA</b>	PA-6622 barebone, Intel® 15" Celeron® J1900 POS /black /1024x768 LCD, Resistance TouchScreen
<b>PA-3251RZ-2JA</b>	DDR3 2GB memory/ 2.5" HDD
<b>PA-6622RZ-35B</b>	Embedded RFID, ISO 14443A, Felica-Lite
<b>PA-3200RZ-45A</b>	Embedded MSR, PS2 interface
<b>PA-6822RZ-31B</b>	Embedded VFD module, RS232 interface
<b>52-002-02012001</b>	120 Watt Power Adaptor
<b>PA-6822RZ-47A</b>	Embedded 3" Thermal Printer
<b>PA-6055RZ-61A</b>	Embedded Wireless module (802.11b/g/n)

All of trademarks and brand names are the property of their owners. Trademark "Protech" is the property of Protech Systems Co., Ltd. All information contained in this document is subject to change without any prior notice. This catalog is copyrighted in Feb. 2014.