

POS



PA-3522

The One-of-a-kind Highly Integrated Fanless 15" POS Terminal

Features and Benefits:

- Intel® Celeron® J1900 CPU
- 15" LCD display with touchscreen
- Flexible design for versatile applications
- Optional 2"/ 3" thermal printer
- Optional MSR, i-Button & fingerprint module
- Small footprint & Streamline design



Protech Systems Co., Ltd.

No. 24, Lane 365, Yang Goang Street, Nei Hu District Taipei 114, Taiwan
TEL: +886-2-8751-1111 FAX: +886-2-8751-1199
E-mail: sales@protech.com.tw
<http://www.protech.com.tw>

Protech Technologies Inc.

950 Fee Ana St, Suite B Placentia, CA 92870
TEL: +1-714- 996-7200 FAX: +1-714- 996-7300
Sales: sales@protech-usa.net
<http://www.protech-usa.net>

Protech Japan Co., Ltd.

OSK Bldg, 6F, 6-25-14, Minami-ohi Shinagawa-ku, Tokyo, 140-0013
TEL: +81-3-5753-8411 FAX: +81-3-3763-9282
E-mail: sam@protech-j.com
<http://www.protech-j.com>



MSR. i-Button



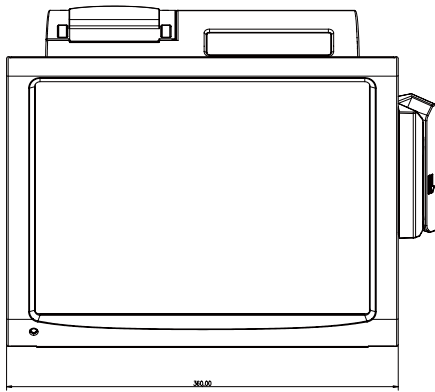
Fingerprint

ISO CERTIFIED
9001 14001

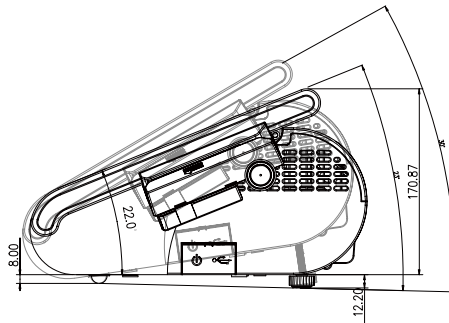
PA-3522

The One-of-a-kind Highly Integrated Fanless 15" POS Terminal

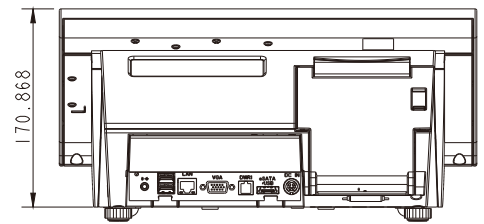
Top View



Side View



Rear View



Unit: mm

Specification

System

CPU Support	Intel® Celeron® J1900
Memory	So-DDR3L slot x 1 (up to 8GB)
Network	10/100/1000 Base-T Fast Ethernet
Power Supply	72~120Watt power adaptor
Audio	2W speaker
System Weight	with power adaptor approx. 6kg
Dimension	356mm x 309mm x 167mm
O.S. Support	WIN8 /POSReady7

Storage

SATA	1 x 2.5" HDD or SSD
mSATA	1 x SSD

I/O Ports

USB	4 x USB on rear, 1 x USB on side bezel
Serial Ports	3 x DB-9 (+5V/ 12V selectable)
eSATA & USB	1 x eSATA & USB
LAN	1 x RJ45
VGA	1 x DB-15
Cash Drawer	1 x RJ11 (+12V or +24V selectable)
Optional	1 x DB9 COM or 1 x DB-25 Printer Port

Optional

Customer Display	VFD, 20 columns and 2 lines, each column is 5 x 7 dots
-------------------------	--

Printer	2" or 3" easy loading thermal printer with Auto cutter
MSR & iButton	ISO I,II,III; JIS I,II and support information key
2nd Display	8" LCD Panel
Fingerprint	8-bit grayscale, reader

Display

LCD	15" TFT LCD
Max. Resolution	1024 x 768
Brightness	250 cd/m ²
Touch Screen	5-wire Analog resistive

Environment

EMC & Safety	CE / FCC
Operating Temp.	0 ~ 35° C
Storage Temp.	-20 ~ 60° C
Humidity	20 ~ 90%

Ordering Information

PA-3522RA-A0B	15" POS ,1024x768 LCD Panel / with Resistance TouchScreen/Black
PA-3122RZ-21A	DDR3L 2GB memory /2.5" HDD
PA-3122RZ-51B	VFD, RS232 interface
PA-3122RZ-42B	Embedded 3" Printer, USB Interface
PA-3151RZ-51B	Vertical PS2 MSR
52-002-02012001	120 Watt Power Adaptor

All of trademarks and brand names are the property of their owners. Trademark "Protech" is the property of Protech Systems Co., Ltd. All information contained in this document is subject to change without any prior notice. This catalog is copyrighted in Feb. 2014.