

POS



PA-7225

17" Fanless Slim POS
Terminal with Intel®
Atom™ J1900 CPU

Features and Benefits:

- Intel® Atom™ J1900, Fanless & Slim Design
- 17" touch display with IP65 and optional Web Cam
- HDD easy maintenance design
- Optional 2nd Display and VFD
- Optional MSR, i-Button & Fingerprint & RFID



Protech Systems Co., Ltd.

No. 24, Lane 365, Yang Goang Street, Nei Hu
District Taipei 114, Taiwan
TEL: +886-2-8751-1111 FAX: +886-2-8751-1199
E-mail: sales@protech.com.tw
<http://www.protech.com.tw>

Protech Technologies Inc.

950 Fee Ana St, Suite B Placentia, CA 92870
TEL: +1-714-996-7200 FAX: +1-714-996-7300
Sales: sales@protech-usa.net
<http://www.protech-usa.net>

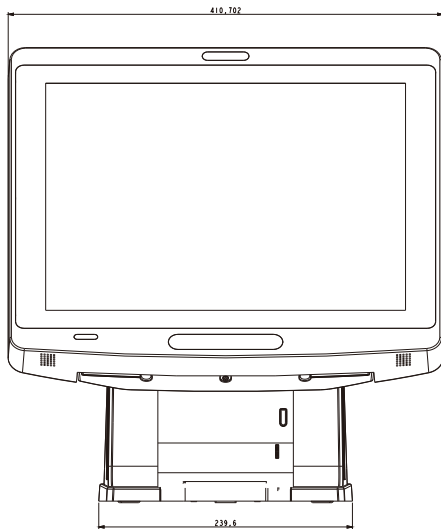
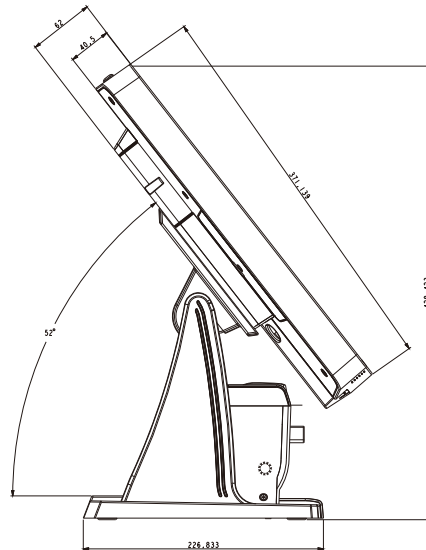
Protech Japan Co., Ltd.

OSK Bldg, 6F, 6-25-14, Minami-ohi Shinagawa-ku,
Tokyo, 140-0013
TEL: +81-3-5753-8411 FAX: +81-3-3763-9282
E-mail: sam@protech-j.com
<http://www.protech-j.com>

ISO CERTIFIED
9001 14001

PA-7225

17" Fanless Slim POS Terminal with Intel® Atom™ J1900 CPU

Top View**Side View****Rear View**

Unit: mm

Specification

System	
CPU Support	Intel® Atom™ J1900 CPU
Memory	One Slot DDR3L SO-DIMM (up to 4GB)
Network	10/100/1000 Base-T Fast Ethernet
Power Supply	72~120Watt power adapter
Audio	2W speaker
System Weight	9 kg
Dimension (W x H x D)	410 x 428 x 227 mm
O.S. Support	WIN8 / POSReady7

Storage

SATA	1 x 2.5" HDD or SSD
mSATA	1 x SSD

I/O Ports

USB /eSATA	4 x USB IO Port / 1 x eSATA
Serial Ports	3 x RJ45 with 5V/12V
LAN	1 x Gigabit Ethernet
VGA	1 x D-sub
Cash Drawer	1 x RJ11

Optional

Customer Display	VFD kit, 20 columns and 2 lines, each column is 5 x 7 dots
-------------------------	--

MSR & iButton	ISO I,II,III; JIS I,II and support information key
RFID	ISO14443A Read /Write; ISO18092 Read only
Fingerprint	8-bit grayscale, reader

Display

LCD	17" TFT LCD
Max. Resolution	1280 x 1024
Brightness	350 cd/m ²
Touch Screen	5-wire Analog resistive
Tilt Angle	24 ~ 30 degrees

Environment

EMC & Safety	CE / FCC
Operating Temp.	0 ~ 35° C
Storage Temp.	-20 ~ 60° C
Humidity	20 ~ 90%

Ordering Information

PA-7225RA-A1B	PA-7225 barebone, Intel® 17" Atom™ J1900 POS /black /1280x1024 LCD, Resistance TouchScreen
PA-7225RZ-23A	DDR3L 2GB memory/ 2.5" HDD
PA-7225RZ-33B	MSR, i-button module
PA-7225RZ-41B	VFD module
OS	POSReady7, WIN8

All of trademarks and brand names are the property of their owners. Trademark "Protech" is the property of Protech Systems Co., Ltd. All information contained in this document is subject to change without any prior notice. This catalog is copyrighted in Feb. 2014.