

2.5in ^{9.5}mm

RAID CARD

SATA 3 to mSATA SSD x2 Enclosure



Features

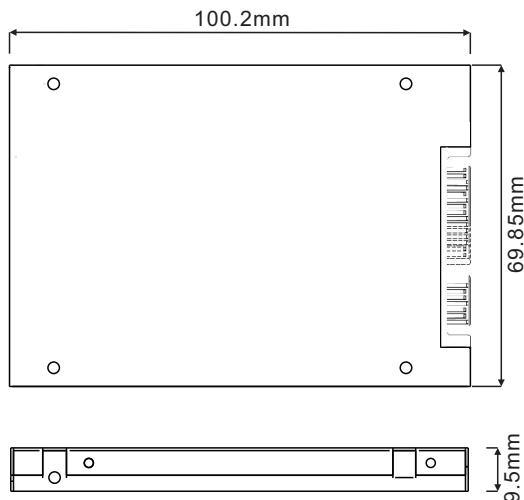
- Standard 2.5", 9.5mm(H) Form Factor
- Support a SATA host & two mSATA SSD devices
- Built-in ASM1092R high performance processor
- RAID mode switch by hardware strapping or GUI controller
- RAID mode: RAID 0(fast) / RAID 1(safe) / JBOD(volume)
- 3-button Hardware switch to setup RAID mode
- Green LED indicate SATA 3 host active
- Red LED indicate mSATA NGFF SSD error

Specifications

- Support SATA Reversion 3.2
- PCI Express Mini Card Electromechanical Spec. 1.2
- PCI-E Card Electromechanical Specification Revision 1.1
- Support SFF-8201 for Form Factor of 2.5" Disk Drives
- PWM synchronous buck converter Power IC
 - 3A maximum output current
 - Short circuit protection
 - In-rush current suppression
 - Thermal shutdown protection
 - ESD HBM (Human Body Mode)/2KV

Support mSATA Form factor

- Half size mSATA : 26.8mm(L) x 30mm(W)
- Full size mSATA : 50.95mm(L) x 30mm(W)



**2.5
INCH**

**mSATA
SSD**

**SATA
6GB/s**

