

# PA-6722

**NEW**



The 15" Fanless Slim POS Terminal



## Features

- True Fanless Design with Intel® Celeron® J1900 CPU
- Aluminum Die Casting BackCover
- Three kinds stand for each application
- HDD Easy Maintenance Design
- Optional MSR / i-Button / Fingerprint / VFD / 2nd Display
- Wall-mountable VESA 100 x 100 Standard



## Specifications

System	CPU Support	Intel® Celeron® J1900
	Memory	DDR3L SO-DIMM (1 slot, up to 8GB)
	Network	10/100/1000 Ethernet
	Power Supply	60~90 Watt power adaptor
	Audio	2W speaker
	System Weight	Easy stand with power adaptor approx. 6 kg
	Dimension	388 x 223 x 234 mm (45 degrees)
	View Angel	Easy Stand: 30~50 degrees / Normal Stand: 0~70 degrees / Printer Stand: 0~55 degrees
	Color	Black
O.S. Support	Win8 / POSReady7	
Storage	SATA1	1 x 2.5" HDD or SSD
	SATA2	1 x SATA-DOM SSD
I/O Ports	USB	on rear 3 x USB 2.0, 1 x USB 3.0 on side bezel 1 x USB 2.0
	Serial Ports	3 + 1 (optional) x RJ45 (all support +5V/12V selectable)
	LAN	1 x RJ45, GIGA
	VGA	1 x DB15
	Cash Drawer	1 + 1(option, with Y cable) x RJ11 (+12V or +24V selectable)
	DC-in	1 x 4pin DC Power Jack
	HDD slot	1 x HDD maintenance slot
	DC out	1 x 3P power connector only for Protech-Printer
Peripheral	Customer Display	VFD, 20 columns and 2 lines, each column is 5 x 7 dots
	Printer	2" or 3" easy loading thermal printer with Auto cutter
	MSR & iButton	JIS-I or II, ISO Track1+2+3 (PS/2 interface)
	2 <sup>nd</sup> Display	Hang on back 8" or 10.4" LCD Stand Alone: 15" LCD
	Fingerprint	8-bit grayscale, reader
Display	LCD	15" TFT LCD
	Resolution	1024 x 768
	Brightness	250 cd/m <sup>2</sup>
	Touch Screen	Non Bezel-free 5-wire Analog resistive Bezel-Free 5-wire Analog resistive or Projected Capacitive
Environment	EMC & Safety	CE / FCC
	Operating Temp.	0 ~ 35° C
	Storage Temp.	-5 ~ 60° C
	Humidity	20 ~ 90%

\*All information contained in this document is subject to change without prior notice. Please log on [www.protech.com.tw](http://www.protech.com.tw) to acquire latest information.

## Highlights

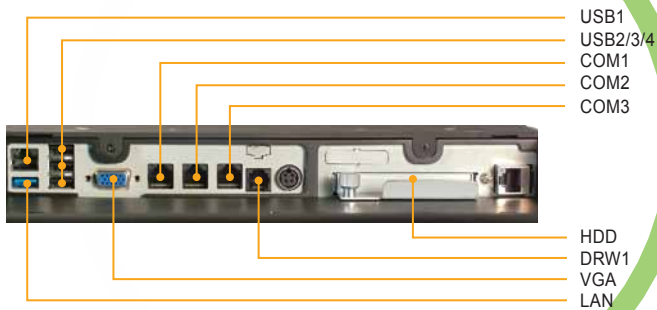


Power button & USB port



Color of the part in production is "Black"

## System I/O Ports



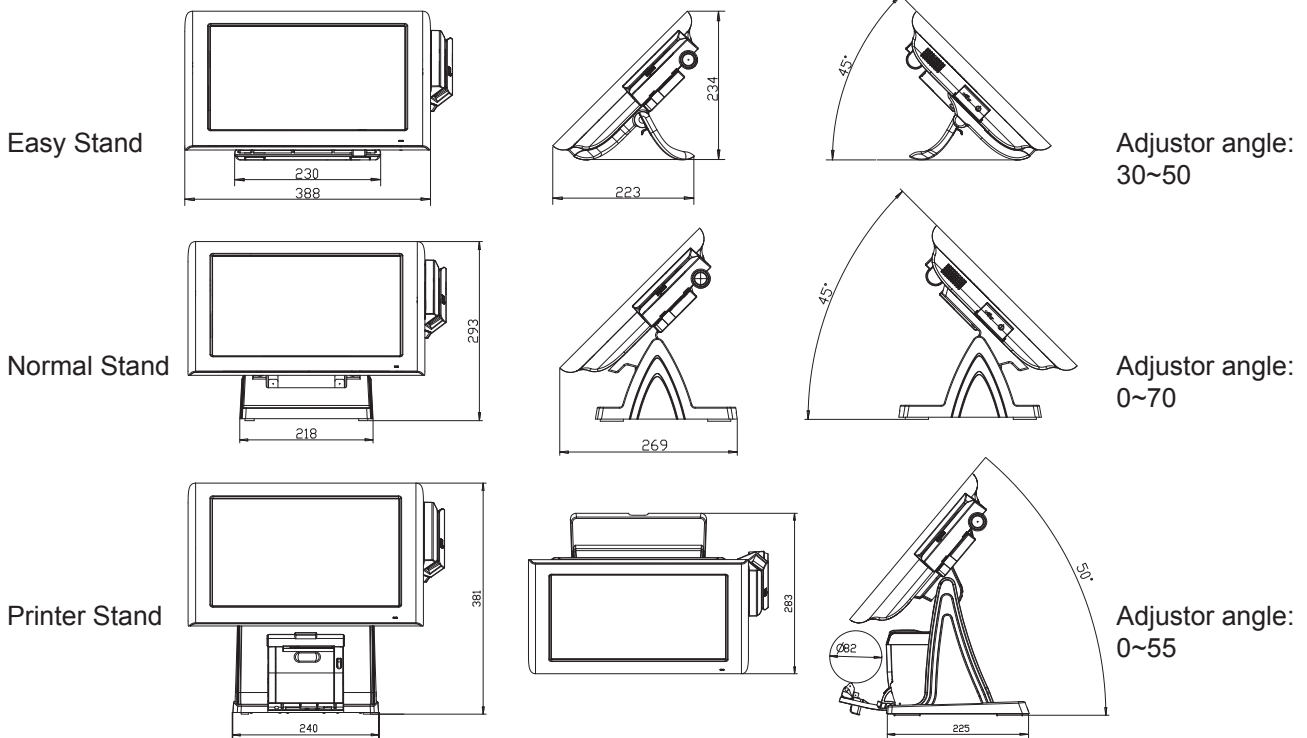
## Ordering Information

Order No	Description
PA-6722RA-A0B	Celeron® J1900 Resistive Touch Panel-PC
52-201-34220003	DDR3L 2GB memory
PA-6722RZ-21A	2.5" Storage bracket kit
52-451-00110101	2.5" 320GB HDD
PA-6722RZ-32A	Easy Stand kit
PA-6223RZ-51B	MSR, JIS-I or II, ISO Track1+2+3 (PS/2)
TBD	Power Cord

## Applications

- Hospitality
- Foodservice

## Dimensions



unit: mm

### Protech Systems Co., Ltd.

No. 24, Lane 365, Yang Goang Street,  
 Nei Hu District Taipei 114, Taiwan  
 TEL: +886-2-8751-1111

### Protech Technologies Inc.

950 Fee Ana St, Suite B  
 Placentia, CA 92870  
 TEL: +1-714-996-7200

### Protech Japan Co., Ltd.

OSK Bldg, 6F, 6-25-14, Minami-ohi  
 Shinagawa-ku, Tokyo, 140-0013  
 TEL: +81-3-5753-8411

### PROX SYSTEMS Germany GmbH

Weststrasse 20a, 40721 Hilden  
 düsseldorf, Germany  
 TEL: +49 (0) 2103-41898-0