

PA-6722-PPC

NEW

RoHS
Compliant

Fanless

The 15" Fanless Slim Panel PC



Features

- True Fanless Design with Intel® Celeron® J1900 CPU
- Aluminum Die Casting BackCover
- HDD Easy Maintenance Design
- Optional MSR / i-Button / Fingerprint / VFD
- Wall-mountable VESA 100 x 100 Standard

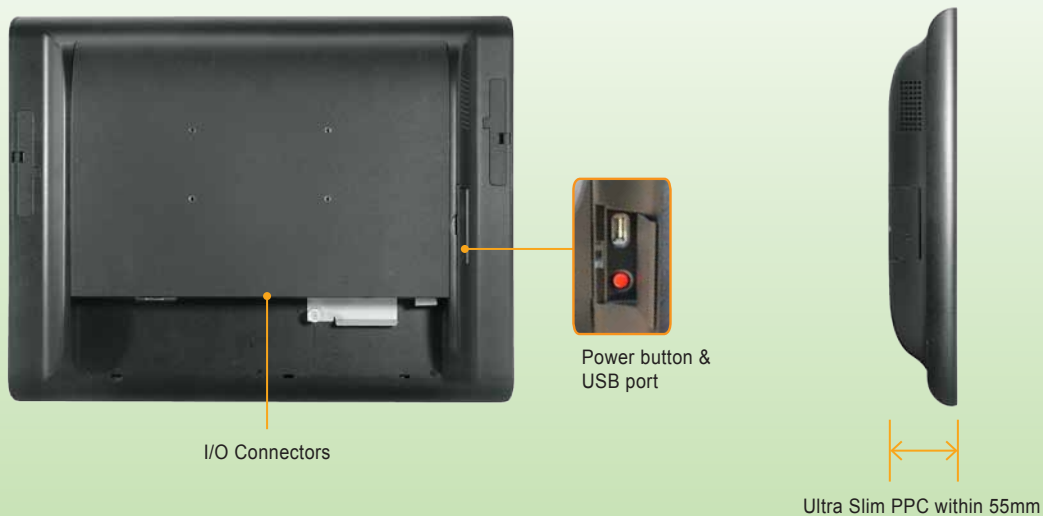


Specifications

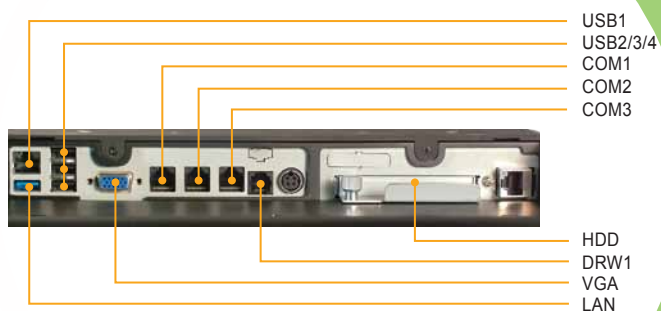
System	CPU Support	Intel® Celeron® J1900
	Memory	DDR3L SO-DIMM (1 slot, up to 8GB)
	Network	10/100/1000 Ethernet
	Power Supply	60 Watt power adapter
	Audio	2W speaker
	System Weight	Easy stand with power adaptor approx. 5 kg
	Dimension	388 x 300 x 55 mm
	O.S. Support	Win8 / POSReady7
Storage	SATA1	1 x 2.5" HDD or SSD
	SATA2	1 x SATA-DOM SSD
I/O Ports	USB	on rear 3 x USB 2.0, 1 x USB 3.0 on side bezel 1 x USB 2.0
	Serial Ports	3 + 1 (optional) x RJ45 (all support +5V/12V selectable)
	LAN	1 x RJ45, GIGA
	VGA	1 x DB15
	Cash Drawer	1 + 1(option, with Y cable) x RJ11 (+12V or +24V selectable)
	DC-in	1 x 4pin DC Power Jack
	HDD slot	1 x HDD maintenance slot
Peripheral	MSR & iButton	JIS-I or II, ISO Track1+2+3 (PS/2 interface)
	Fingerprint	8-bit grayscale, reader
Display	LCD	15" TFT LCD
	Resolution	1024 x 768
	Brightness	250 cd/m ²
	Touch Screen	Non Bezel-free 5-wire Analog resistive Bezel-Free 5-wire Analog resistive or Projected Capacitive
Environment	EMC & Safety	CE / FCC
	Operating Temp.	0 ~ 35° C
	Storage Temp.	-5 ~ 60° C
	Humidity	20 ~ 90%

*All information contained in this document is subject to change without prior notice. Please log on www.protech.com.tw to acquire latest information.

Highlights



System I/O Ports



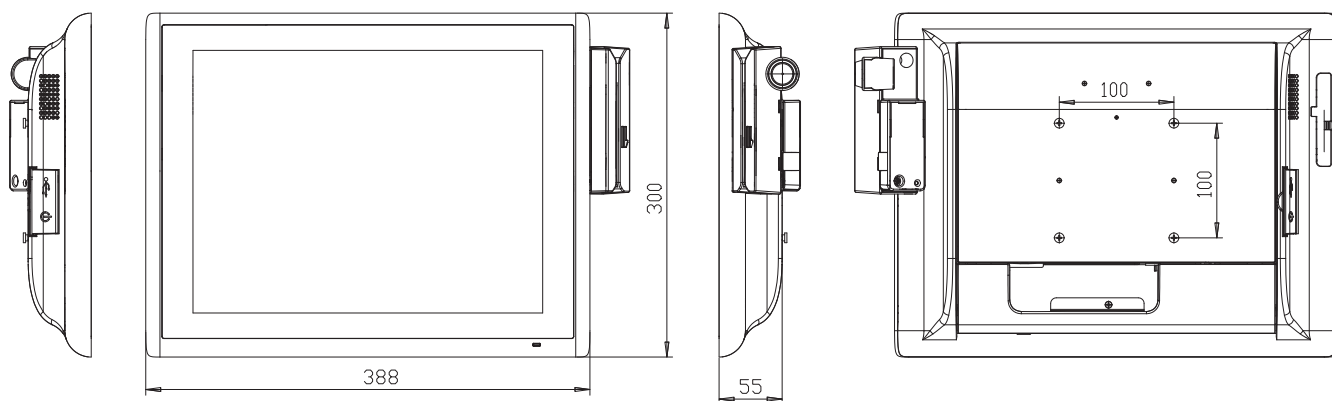
Ordering Information

Order No	Description
PA-6722RA-A0B	Celeron® J1900 Resistive Touch Panel-PC
52-201-34220003	DDR3L 2GB memory
PA-6722RZ-21A	2.5" Storage bracket kit
52-451-00110101	2.5" 320GB HDD
PA-6722RZ-32A	Easy Stand kit
PA-6223RZ-51B	MSR, JIS-I or II, ISO Track1+2+3 (PS/2)
TBD	Power Cord
Color	Black
OS	Win8, POSReady7

Applications

- Hospitality
- Foodservice

Dimensions



unit: mm

Protech Systems Co., Ltd.

No. 24, Lane 365, Yang Goang Street,
Nei Hu District Taipei 114, Taiwan
TEL: +886-2-8751-1111

Protech Technologies Inc.

950 Fee Ana St, Suite B
Placentia, CA 92870
TEL: +1-714- 996-7200

Protech Japan Co., Ltd.

OSK Bldg, 6F, 6-25-14, Minami-ohi
Shinagawa-ku, Tokyo, 140-0013
TEL: +81-3-5753-8411

PROX SYSTEMS Germany GmbH

Weststrasse 20a, 40721 Hilden
düsseldorf, Germany
TEL: +49 (0) 2103-41898-0