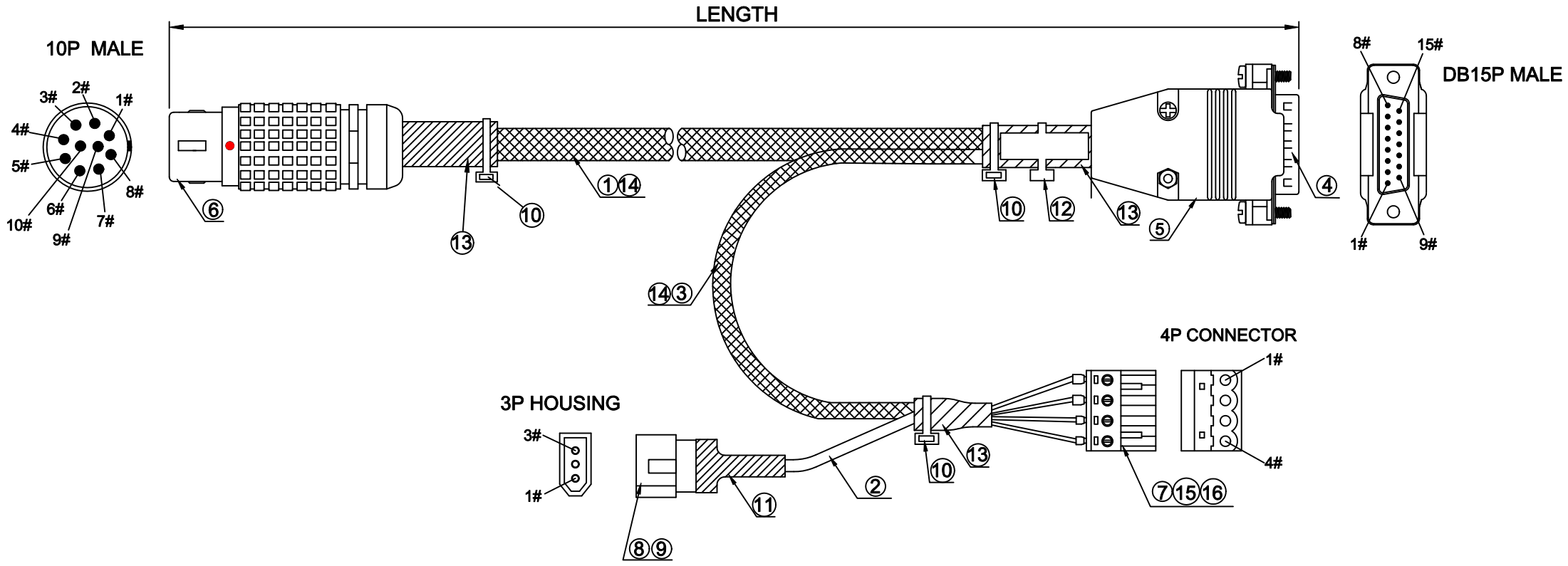


**RoHS COMPLIANT**

| DESCRIPTION CONTROL |               |            |     |
|---------------------|---------------|------------|-----|
| REV                 | DESC          | DATE       | APP |
| A                   | FIRST RELEASE | 2016/11/23 |     |
|                     |               |            |     |



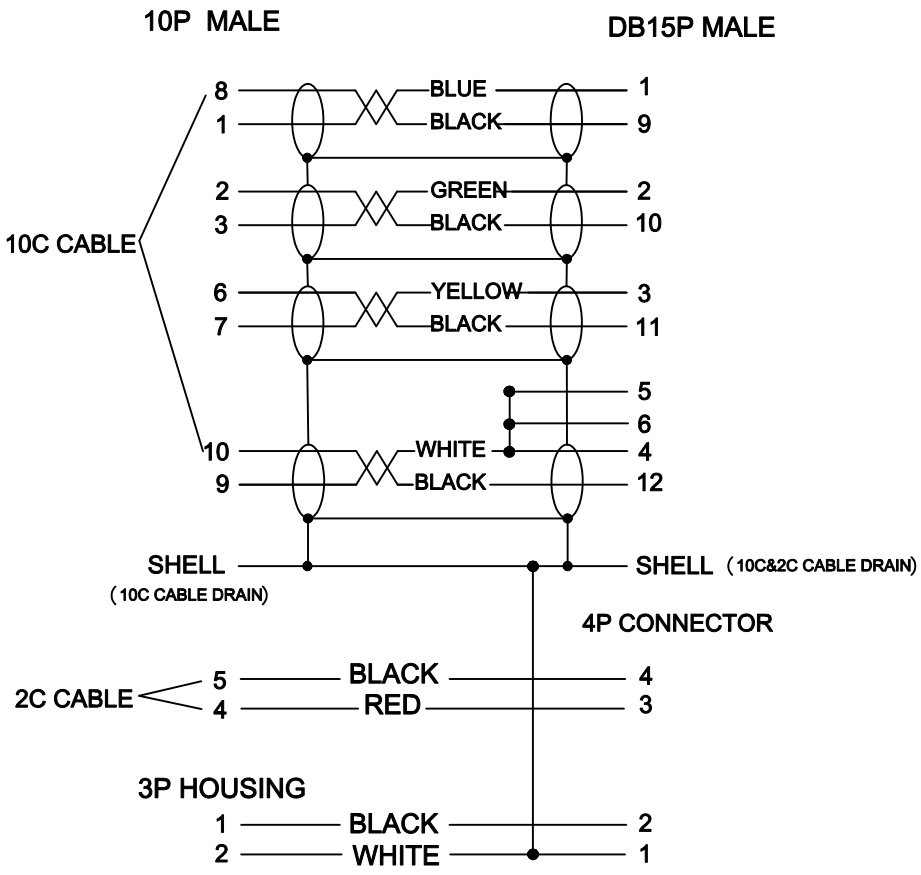
**NOTES:**  
 1. PIN ASSIGNMENT SEE TO WIRE LIST.  
 2. ELECTRICAL TEST CONDITION:  
 (a).100%OPEN,SHORT & MISWIRE TEST,  
 (b). INSULATOR RESISTANCE:20 Mohm MIN.  
 DC 300V 0.01sec,  
 (c). CONTACT RESISTANCE:3 ohm MAX.

|  |       |   |       |
|--|-------|---|-------|
| <b>Seconn International Enterprise Co., Ltd.</b> |       |   |       |
|  | REV.  | D-SUB 15 Pin Male to LEMO 10 Pin Male Cable |       |
|  | A     |   |       |
| DRAW,BY: ZHAO PENG                               |       | P/N: SE-S-0015                              |       |
| CHECK,BY:  | SCALE | UNIT  | SHEET |
| APP,BY:  | FREE  | mm  | 1/2   |

**RoHS COMPLIANT**

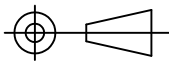
| DESCRIPTION CONTROL |               |            |     |
|---------------------|---------------|------------|-----|
| REV                 | DESC          | DATE       | APP |
| A                   | FIRST RELEASE | 2016/11/23 |     |
|                     |               |            |     |

**PIN ASSIGNMENT**



| 16   | 2   |             | EUROPE TYPE TERMINAL,ET1.0-6 RED.   |
|------|-----|-------------|---|
| 15   | 2   | B0238       | EUROPE TYPE TERMINAL,ET0.5-8 ORANGE.  |
| 14   |     | N0151       | BLACK BRAID.  |
| 13   | 3   |             | DOUBLE HEAT SHRINK TUBE:BLACK.  |
| 12   | 1   |             | LABEL   |
| 11   | 2   |             | BLACK HEAT SHRINK TUBE.   |
| 10   | 3   | F0004       | CABLE TIE.  |
| 9    | 2   | B0194       | TERMINAL:YY-3700-TMTA,TIN PLATED.   |
| 8    | 1   | B0193       | HOUSING:YY-3700-H03F1E,WITHOUT WING.  |
| 7    | 1   | A0466       | 4 POS TERMINAL BLOCKS. (P/N:ED1719-ND)                                      |
| 6    | 1   | A0540       | CONNECTOR 10P MALE ,ROUND,(LEMO P/N:FGG.2B.310.CLAD92)                      |
| 5    | 1   | N0149       | DB15P SHELL WITH SCREW.   |
| 4    | 1   | A0011       | DB15P MALE,BLACK INSULATOR,SOLDER TYPE.                                     |
| 3    | 1   | E0733       | 24AWG*2C+DRAIN+AL/MYLAR OD:4.0MM BLACK PVC JACKET UL2464                    |
| 2    | 1   | E0737       | 18AWG*2C OD:6.0MM BLACK PVC JACKET UL2464                                   |
| 1    | 1   | W97062501   | (24AWG*1PAIR+DRAIN+AM)*5PCS+DRAIN+AL/MYLAR OD:7.6MM BLACK PVC JACKET UL2464 |
| ITEM | QTY | PART NUMBER | DESCRIPTION   |

**Seconn International Enterprise Co., Ltd.**

|   |      |   |      |       |
|---|------|---|------|-------|
|  | REV. | D-SUB 15 Pin Male to LEMO 10 Pin Male Cable |      |       |
|   | A    |   |      |       |
| DRAW,BY: ZHAO PENG  |      | P/N: SE-S-0015                              |      |       |
| CHECK,BY:   |      | SCALE                                       | UNIT | SHEET |
| APP,BY:   |      | FREE  | mm   | 2/2   |