

* ROHS COMPLIANT

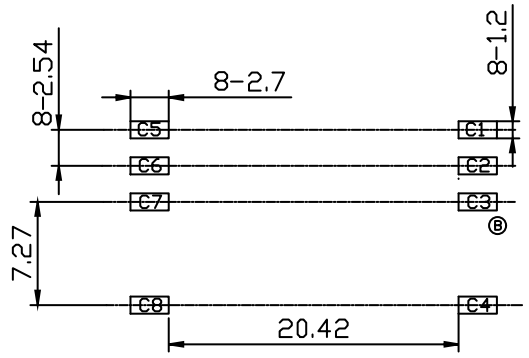
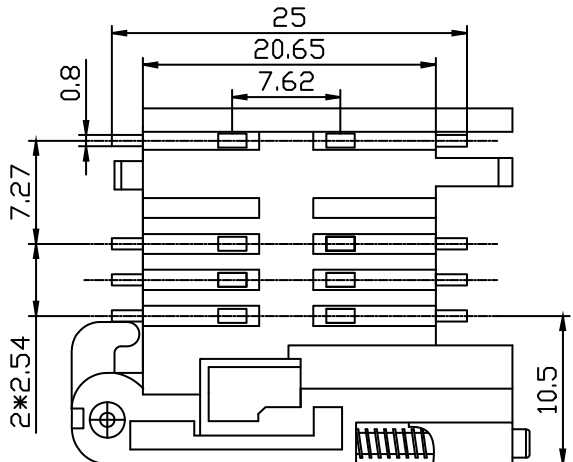
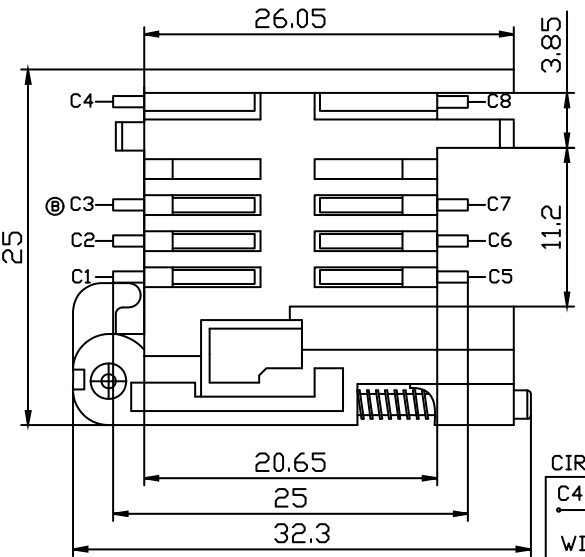
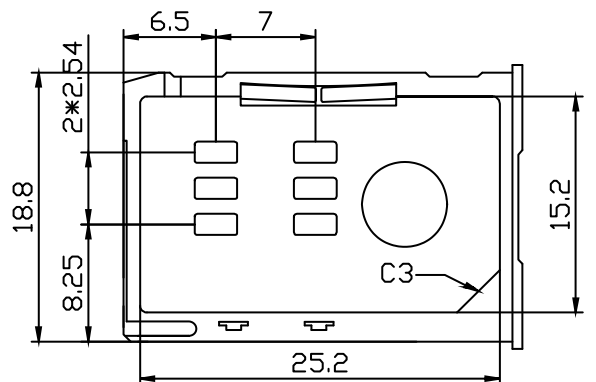
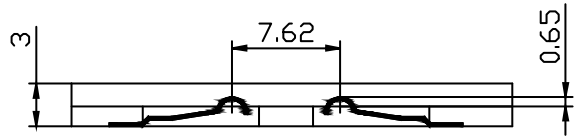
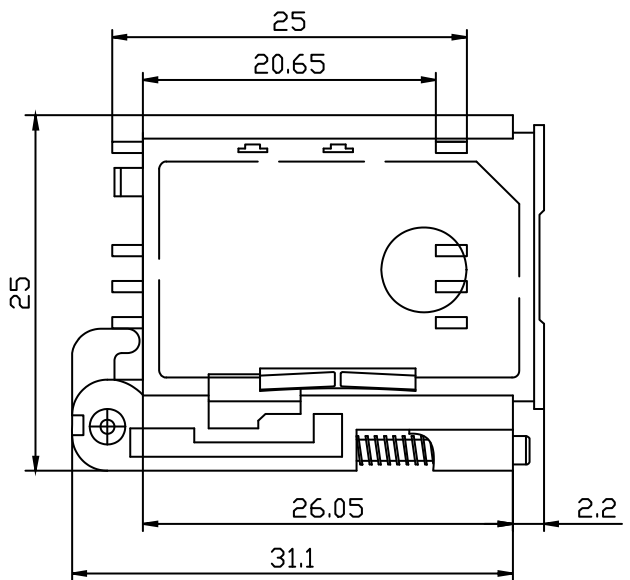
NOTES:

MATERIAL:
 1.CONTACT: COPPER ALLOY
 2.PLATING: SELECTIVE AU ON MATING AREA,TIN ON SOLDER ARER;
 3.HOUSING: LCP

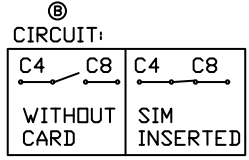
MECHANICAL:
 1.PIN COUNT: 8PIN
 2.DURABILITY: 5000 CYCLES;
 3.INSERTION FORCE: 1.5KGF MAX.
 4.EXTRACTION FORCE: 2KGF MIN.
 5.CONTACT NORMAL FORCE: 0.2KG~0.6KGF

ELECTRICAL
 1.INSULATION RESISTANCE: 1000MQ MIN.
 2.CONTACT RESISTANCE: 100mΩMAX
 3.CD FUNCTION: NORMALLY OPEN

ENVIRONMENT
 1.OPERATION TEMPERATURE: -40°C~+85°C
 2.SOLDER CONDITION: 260°C 5S
 3.HUMIDITY: 40°C , 90%~96% , 48H;
 4.SALT SPRAY: 5% NaCl, 35°C 8H;



RECOMMENDED PCB LAYOUT
 TOLERANCE: ± 0.05



PIN NO.	PIN NAME
C1	Supply Voltage Vcc
C2	Reset (RST)
C3	Clock (CLK)
C4	N/A
C5	Ground
C6	Programming Voltage Vpp
C7	I/O
C8	N/A

Seconn International Enterprise Co., Ltd.

TOLERANCES	PROJECTION	TITLE
x. = ± ----	 UNIT mm	Eject SIM Card connector Push Push Type
x.x = ± 0.25		
x.xx = ± 0.10		
x.xxx = ± 0.10	Angle ± 1.0°	

REVISION NO.	ECR NO.	DESCRIPTION	MARK	DATE	SCALE	NA	SIZE	A4	SHEET	1/1	REV	B
B		Add Circuit and pin no. on drawing	⑥	20160427	DRAWN	COCO	DATE	2016/04/27	PART NO.	SIM-S08-300		