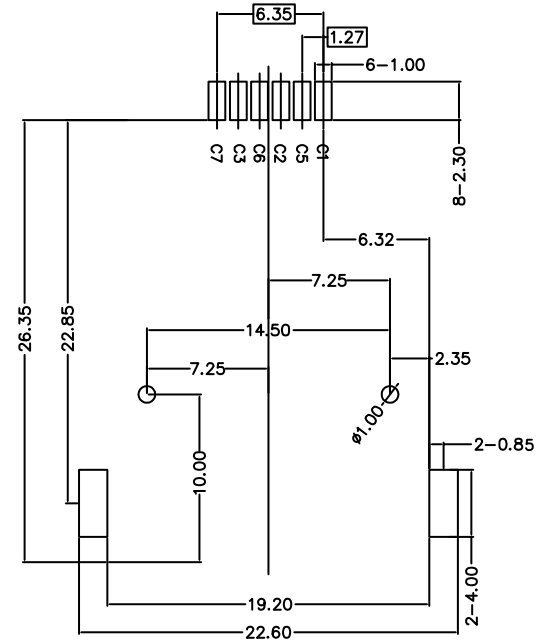
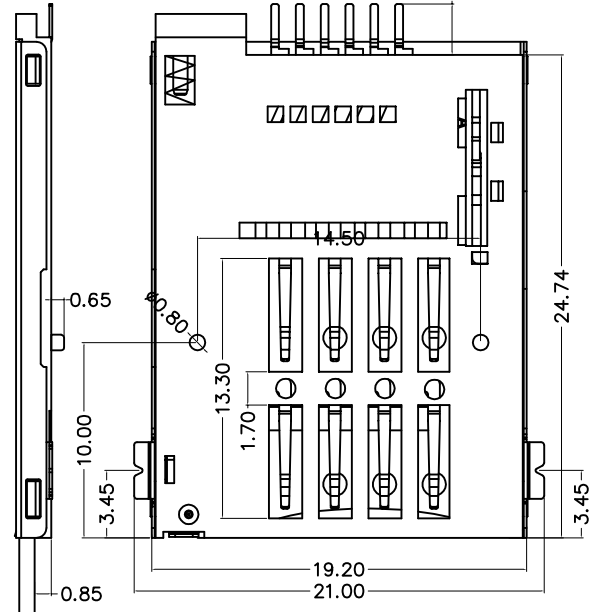
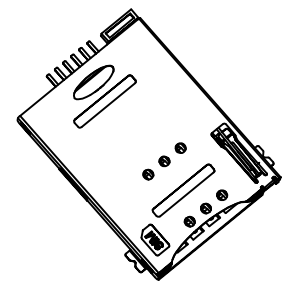
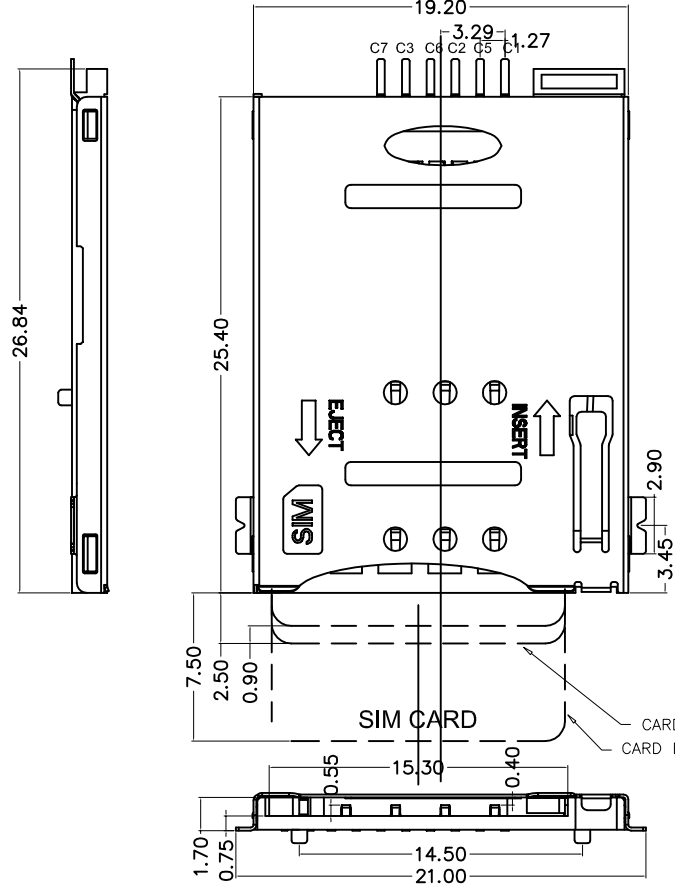


* 所有原料材质, 生产制程, 电镀必须符合ROHS要求

- 1.SPECIFICATIONS
 INSULATION RESISTANCE: 500M min.AT DC 500V DC
 WITHSTANDING VOLTAGE: 250V ACrms FOR 1 MINUTE
 CONTACT RESISTANCE: 100M max. AT 10MA/20mV max
 CURRENT RATING: 0.5A
 VOLTAGE RATING: 5.0 vrms
 OPERATING TEMP.RANGE:-55 C+85 C
 MATING CYCLES: 5000 INSERTIONS
- 2.MATERIAL:
 INSULATOR: H-TEMPERATURE PLASTIC,UL 94V-0,
 COLOR*BLACK
 TERMINAL: COPPER ALLOY,T=0.15mm
 SHELL: STAINLESS STEEL,T=0.15mm
- 3.FINISH:
 TERMINAL:50u" min NICKEL UNDERPLATED ON ALLOVER,GOLD PLATING
 ON CONTACT ARER, 80u"min TIN ON SOLDER TAIL.
 SHELL:50u" NICKEL UNDERPLATED ON ALLOVER, GOLD FLASH ON SOLDER
 LATCH



RECOMMENDED PCB LAYOUT

SIM pin assignment	
PIN#	Name
C1	VCC
C2	RST
C3	CLK
C5	GND
C6	VPP
C7	I/O

Seconn International Enterprise Co., Ltd.

TOLERANCES		PROJECTION	TITLE		
x.	= ± ----		SIM Card Connector Push 6 Pin SMT Type		
x.x	= ± 0.25				
x.xx	= ± 0.10				
x.xxx	= ± 0.05	UNIT			
	Angle ± 1.0°	mm			
DRAWN	COCO	DATE	2012/05/10	PART NO.	SIM-S0081LAAS10A
SCALE	1:1	SIZE	A4	SHEET	1/1
				REV	A

REVISION NO.	ECR NO.	DESCRIPTION	MARK	DATE
1				
2				
3				