



GLOBEFAN TECHNOLOGY CO., LTD.

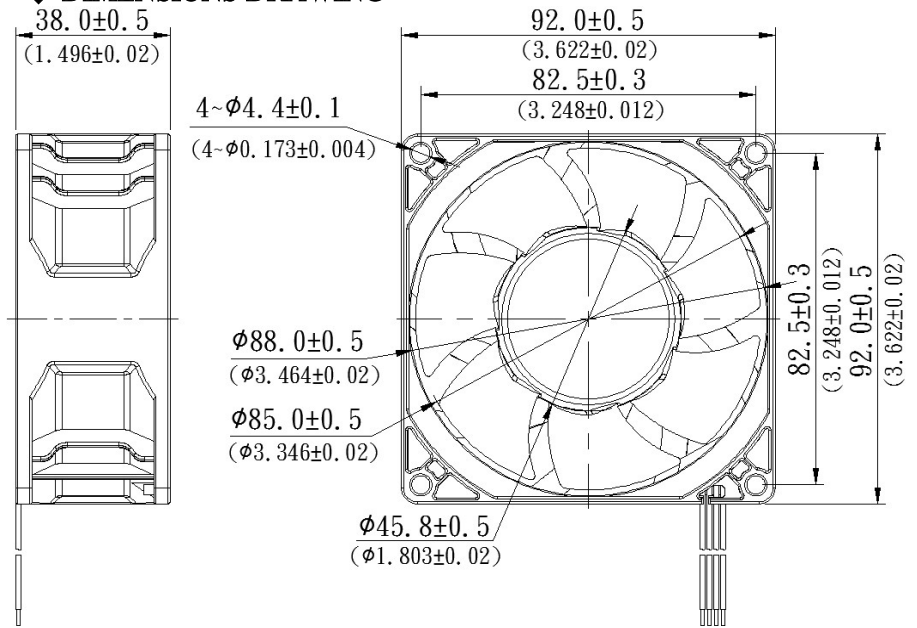
No. 28, 3 Lane Zhongxinjin Road, Jin Industry District Shoei Koou Village,

Da Laang Town, Dungguan City, Guangdong Province, China

Tel : +86 769 83182898~9

Fax : +86 769 83182897

◆ DIMENSIONS DRAWING



* BEARING TYPE

- 2 Ball bearing

-

* Electrical Function

- Frequency Generator Output Signal
- Rotation Detector Output Signal
- PWM (Pulse Width Modulation)

* Material

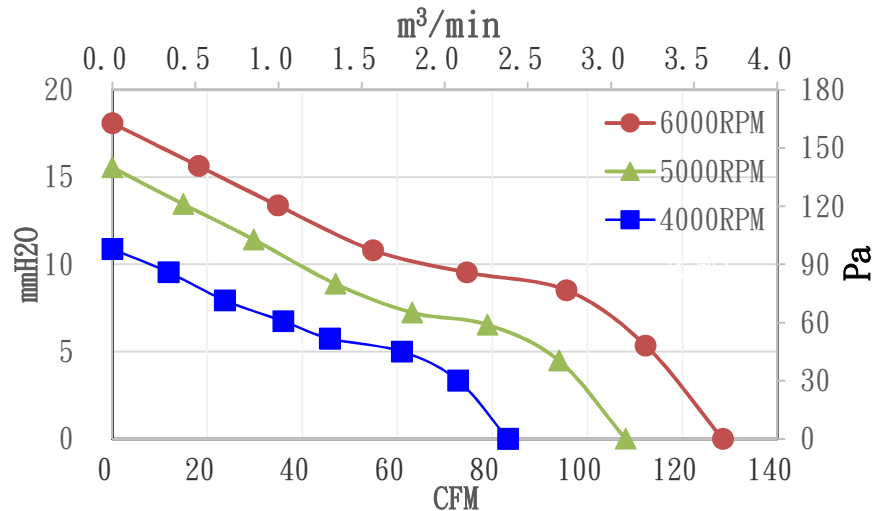
Impeller: Plastic (PBT UL 94V-0)
Frame : Plastic (PBT UL 94V-0)

* Lead wires

UL 1007 AWG#24 or Equivalent
Red Wire Positive (+)
Black Wire Negative (-)

* Weight : 197.8g (6.98 oz)

◆ 92x92x38mm DC Brushless Fan P/Q Curves (At rated speed)



MODEL	Operating Voltage Range	Rated Voltage	Rated Current	Rated Input Power	Speed	Maximum Air Flow		Maximum Air Pressure		Noise
Part No.	VDC	VDC	Amp	Watts	R.P.M	m ³ /min	CFM	mmH ₂ O	Pa	dB(A)
SI0Z B0923812HP-4M	6 ~ 13.8V	12	2.30	27.6	6000±10%	3.64	128.54	18.10	177.50	60.5
SI0Z B0923812MP-4M	6 ~ 13.8V	12	1.80	21.6	5000±10%	3.06	108.06	15.56	152.59	55.4
SI0Z B0923812LP-4M	6 ~ 13.8V	12	1.30	15.6	4000±10%	2.36	83.29	9.56	93.75	49.5
SI0Z B0923824HP-4M	15 ~ 30.0V	24	1.20	28.8	6000±10%	3.64	128.54	18.10	177.50	60.5
SI0Z B0923824MP-4M	15 ~ 30.0V	24	1.00	24.0	5000±10%	3.06	108.06	15.56	152.59	55.4
SI0Z B0923824LP-4M	15 ~ 30.0V	24	0.80	19.2	4000±10%	2.36	83.29	9.56	93.75	49.5
SI0Z B0923848HP-4M	25 ~ 60.0V	48	0.70	33.6	6000±10%	3.64	128.54	18.10	177.50	60.5
SI0Z B0923848MP-4M	25 ~ 60.0V	48	0.60	28.8	5000±10%	3.06	108.06	15.56	152.59	55.4
SI0Z B0923848LP-4M	25 ~ 60.0V	48	0.50	24.0	4000±10%	2.36	83.29	9.56	93.75	49.5

* Function type is optional.

* The max. air flow and speed are measured in free air; max. air pressure is measured at close to zero air flow.

* Noise is measured in anechoic chamber in free air, one meter from intake side.

* All readings are typical values at rated voltage.

* Specifications are subject to change without notice.