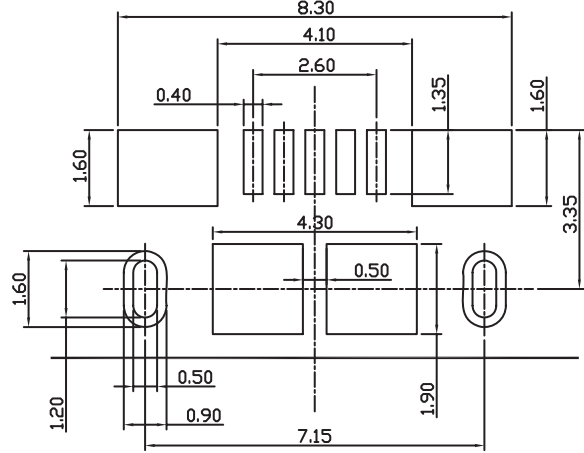
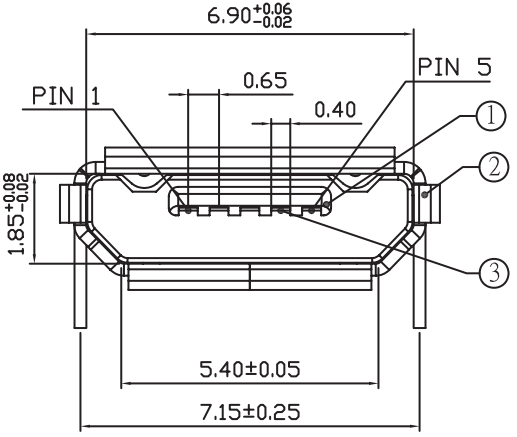
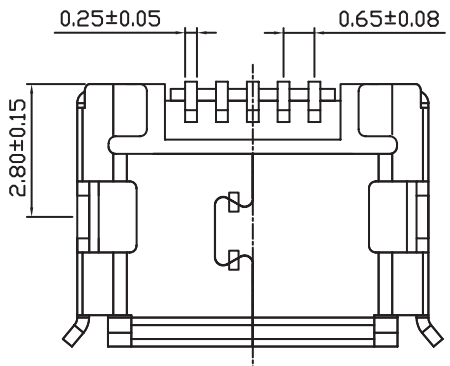
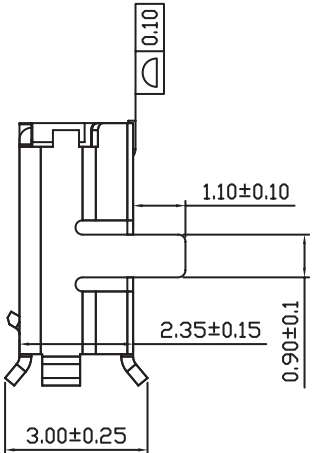
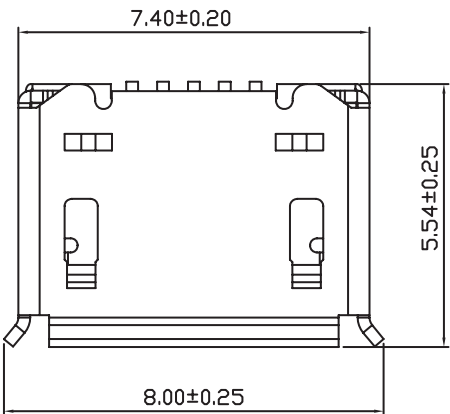


1 | 2 | 3 | 4 | 5 | 6

Pin NUMBER	SIGNAL NAME
1	VBUS
2	D-
3	D+
4	ID
5	GND
Shell	Shield



PCB LAYOUT  
TOLERANCE: ±0.05

NOTES:  
 1. MATERIAL  
 HOUSING: LCP,UL94V-0,BLACK  
 CONTACT: COPPER ALLOY  
 SHELL: COPPER ALLOY  
 2. FINISH  
 CONTACT: 50U" MIN NICKEL UNDERPLATING OVERALL  
 GOLD PLATING SELECTIVE ON CONTACT AREA  
 GOLD PLATING G/F ON SOLDER TAIL  
 SHELL: 50U" MIN NICKEL UNDERPLATING OVERALL  
 TIN PLATING 80U" OVERALL  
 3. ELECTRICAL  
 CURRENT: 1.0A  
 VOLTAGE: 30V  
 CONTACT RESISTANCE: 50 MILLIOHMS MAX.  
 DIELECTRIC WITHSTANDING VOLTAGE: 500V AC  
 INSULATION RESISTANCE: 100 MEGOHMS MIN.  
 4. MECHANICAL  
 DURABILITY: 5000 CYCLES  
 5. PRODUCT NO. DESCRIPTION:  
 MCUSB-S07XXB303

Contact Finish:  
 00: Material 10: 10u"Gold  
 01: G/F 15: 15u"Gold  
 05: 5u"Gold 30: 30u"Gold

3	CONTACT
2	SHELL
1	HOUSING
ITEM	DESCRIPTION

**Seconn International Enterprise Co., Ltd.**

TOLERANCES		PROJECTION	TITLE							
x. = ± 0.50	x.° ± 1.0°		Micro USB 5P B Female SMT Type Connector							
x.x = ± 0.30	.x° ± 1.0°									
x.xx = ± 0.20	.xx° ± 1.0°	UNIT	PART NO. MCUSB-S0730B303							
x.xxx = ± 0.10	.xxx° ± ---	mm	SCALE	1:1	SIZE	A4	SHEET	1/1	REV	A

LTR	ECN NO	REVISION	RECORD	DRAW	DATE
1					

1 | 2 | 3 | 4 | 5 | 6