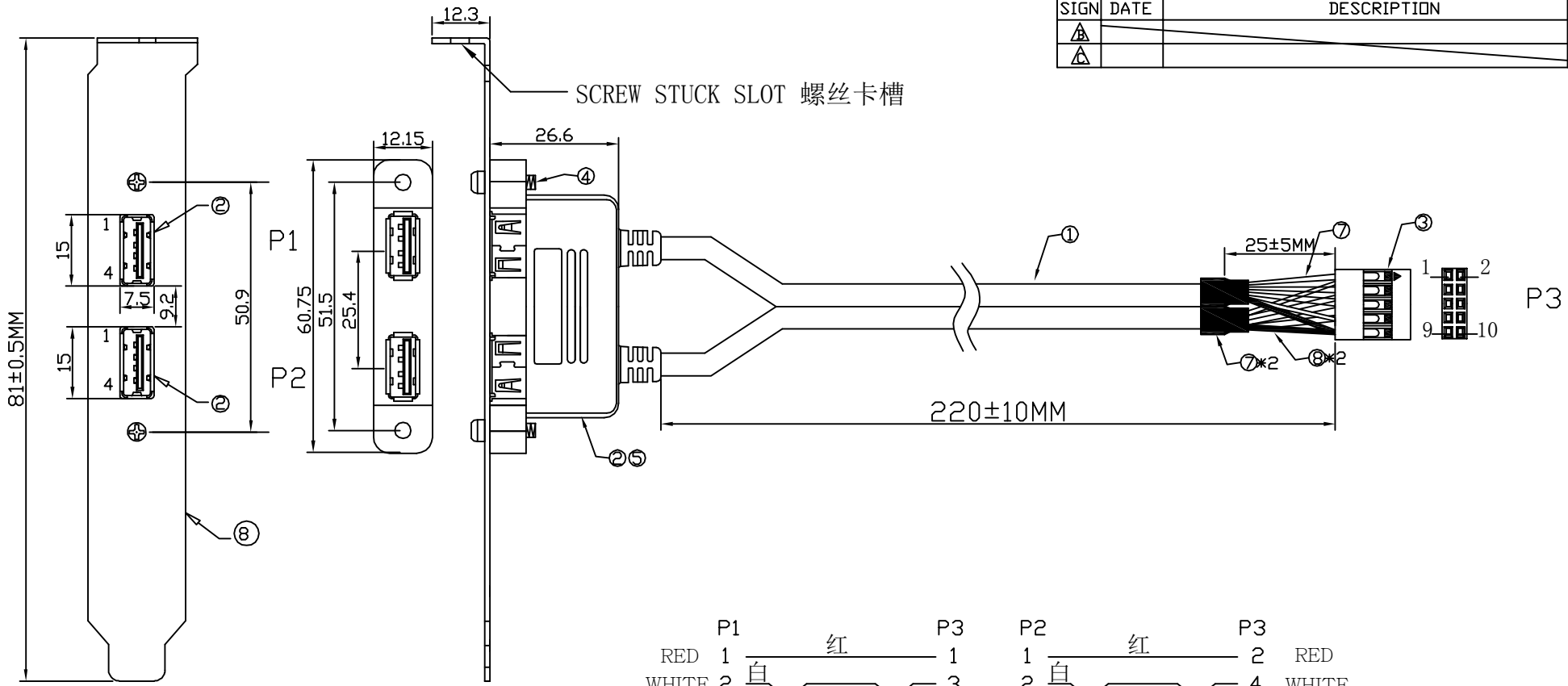
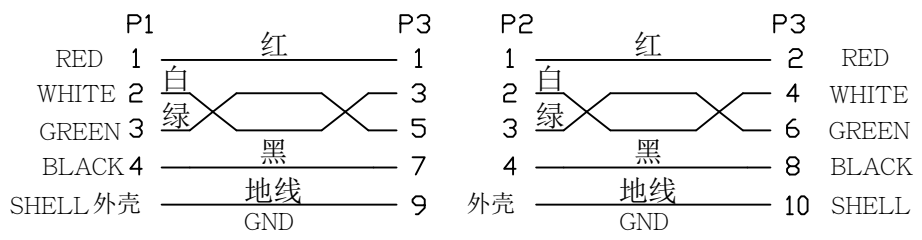


SIGN	DATE	DESCRIPTION	APPROVER
△			
△			



ELECTRONIC TEST CONDITION:
 100% OPEN SHORT & MISWIRE TEST.
 CONDCTIVE RESISTANCE:5 Ω/MAX
 INSULATION RESISTANCE:5M Ω/MIN.AT DC 300V



PART LIST:ROHS

ITEM	STANDARD SPECIFICATION	Q' TY	UNIT
1	ROUND CABLE UL2725 28#1P+28# 2C+AEB OUTER MOLD; BEIGE OD:3.5MM	PCS	2
2	USB CONN. TYPE A FEMALE SOLDER G/F WHITE	PCS	2
3	HOUSING:DUPONT 2.54mm-2*5P 1PCS TERMINAL: DUPONT 2.54MM 10PCS	SET	1
4	SCREW M3*10 "F54" 12-3050-OYN & SCREW NUT "F54*23-3050-CN" NCIEXLL	SET	2
5	PVC 45P COLOR BEIGE	G	
6	BLACK HEAT SHRINK TUBE: φ0.8 超薄 L=26MM	PCS	2
7	BLACK HEAT SHRINK TUBE: φ 5.0 L=20MM	PCS	2
8	METAL PLATE: USB FEMALE 2*4P 曲尾加强型铁片. IRON PLATE	PCS	1

Seconn International Enterprise Co., Ltd.

TOLERANCES		PROJECTION	TITLE		
AS DRAWING			USB A Female x2 with Metal Plate to 2.54mm Pitch 2x5 Pin Housing Cable L:220mm		
		UNIT mm			
DRAWN	Diana	DATE	PART NO.	SC-S-1902-1807R	
SCALE		SIZE	A4	SHEET	1/1 REV A