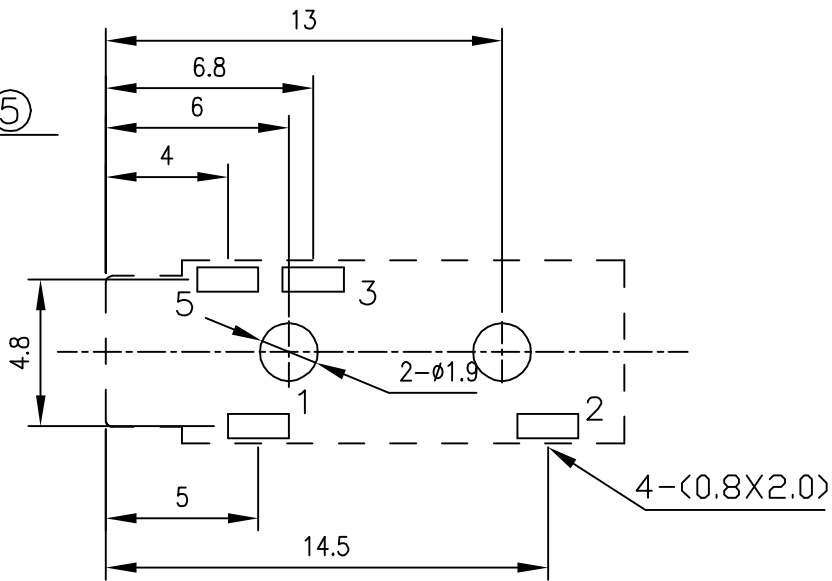
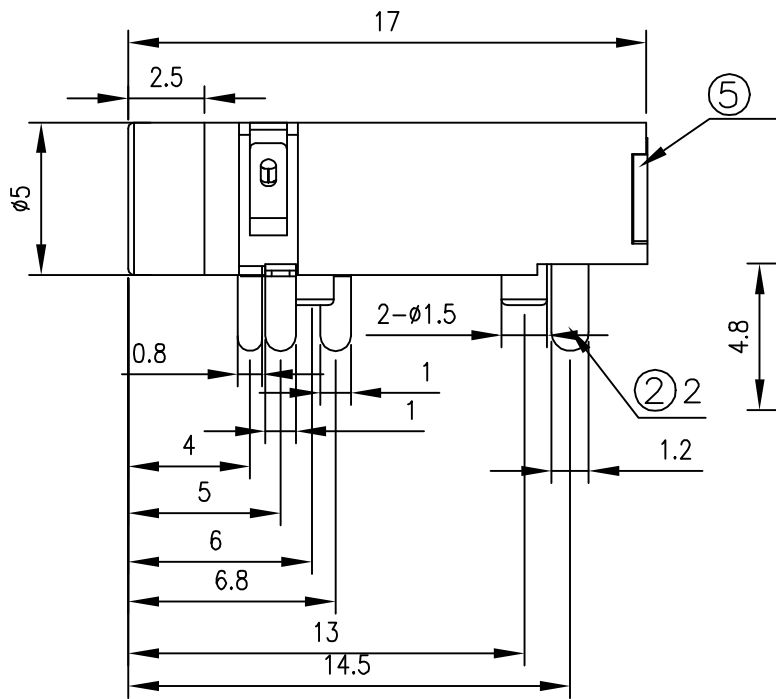
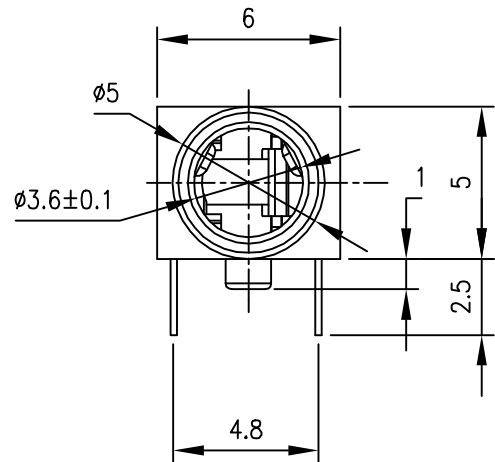
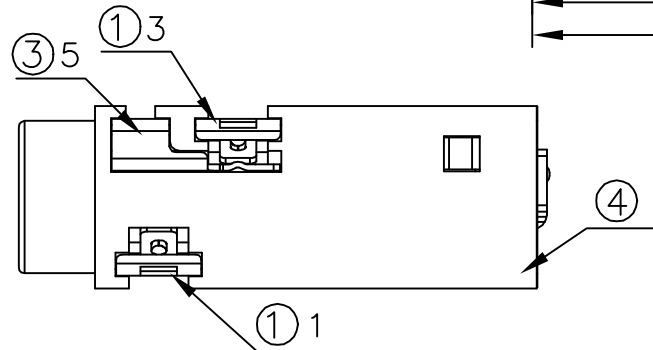


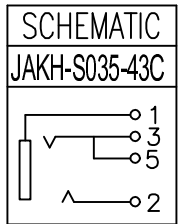
* REVISIONS				
LTR	DESCRIPTION	DATE	REVISED	APPROVED



T:1.6 Dimensions of PC board holes  
Tolerance : ±0.05(Printed-top view)



LEAD FREE



⑤	COVER	1	PA9T	UL-94V0(BLACK)
④	HOUSING	1	PA9T	UL-94V0(BLACK)
③	TERMINAL 5#	1	C2680 t=0.2	Ag PLATED
②	TERMINAL 2#	1	C5191 t=0.3	Ag PLATED
①	TERMINAL 1#	2	C5191 t=0.2	Ag PLATED
LTR	PART NAME	QTY	MATERIAL	REMARK

UNLESS OTHERWISE SPECIFIED, TOLERANCE ON DECIMAL: ±0.3

**Seconn International Enterprise Co., Ltd.**

TOLERANCES		PROJECTION	TITLE			
AS DRAWING			3.5mm Miniature Jack Connector			
		UNIT				
		mm				
DRAWN	LILY	DATE	2020/01/31	PART NO.	JAKH-S035-43C	
SCALE	NONE	SIZE	A4	SHEET	1/1	REV A