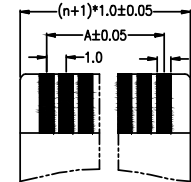
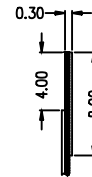
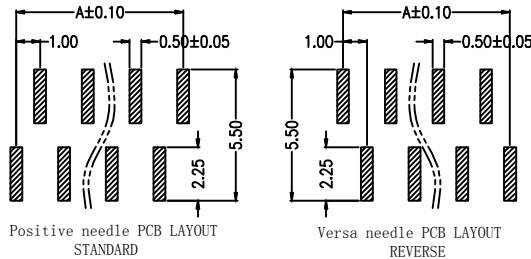
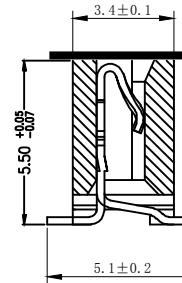
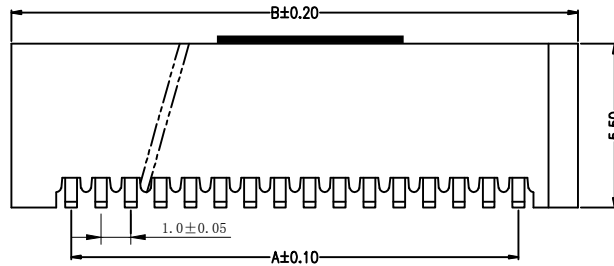
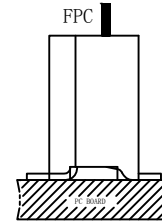
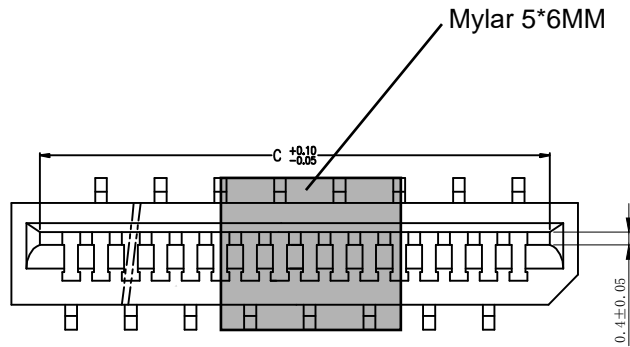


No. of Contacts	DIMENSIONS		
	DIM A	DIM B	DIM C
04	3.00	7.00	5.10
05	4.00	8.00	6.10
06	5.00	9.00	7.10
07	6.00	10.00	8.10
08	7.00	11.00	9.10
09	8.00	12.00	10.10
10	9.00	13.00	11.10
11	10.00	14.00	12.10
12	11.00	15.00	13.10
13	12.00	16.00	14.10
14	13.00	17.00	15.10
15	14.00	18.00	16.10
16	15.00	19.00	17.10
17	16.00	20.00	18.10
18	17.00	21.00	19.10
19	18.00	22.00	20.10
20	19.00	23.00	21.10
21	20.00	24.00	22.10
22	21.00	25.00	23.10
23	22.00	26.00	24.10
24	23.00	27.00	25.10
25	24.00	28.00	26.10
26	25.00	29.00	27.10
27	26.00	30.00	28.10
28	27.00	31.00	29.10
29	28.00	32.00	30.10
30	29.00	33.00	31.10
31	30.00	34.00	32.10
32	31.00	35.00	33.10
33	32.00	36.00	34.10
34	33.00	37.00	35.10
35	34.00	38.00	36.10
36	35.00	39.00	37.10
37	36.00	40.00	38.10
38	37.00	41.00	39.10
39	38.00	42.00	40.10
40	39.00	43.00	41.10



Current Rating:0.4 A
Voltage Rating:50V
Withstand Coltage:200V AC /minute
Contact Resistance:≤20mΩ
Insulation Resistance:500MΩ
Working Temperature:-20℃~+80℃
Dual Contact
material:Nylon46,UL94 V-0
Contact: Phosphor copper

Ordering Code:

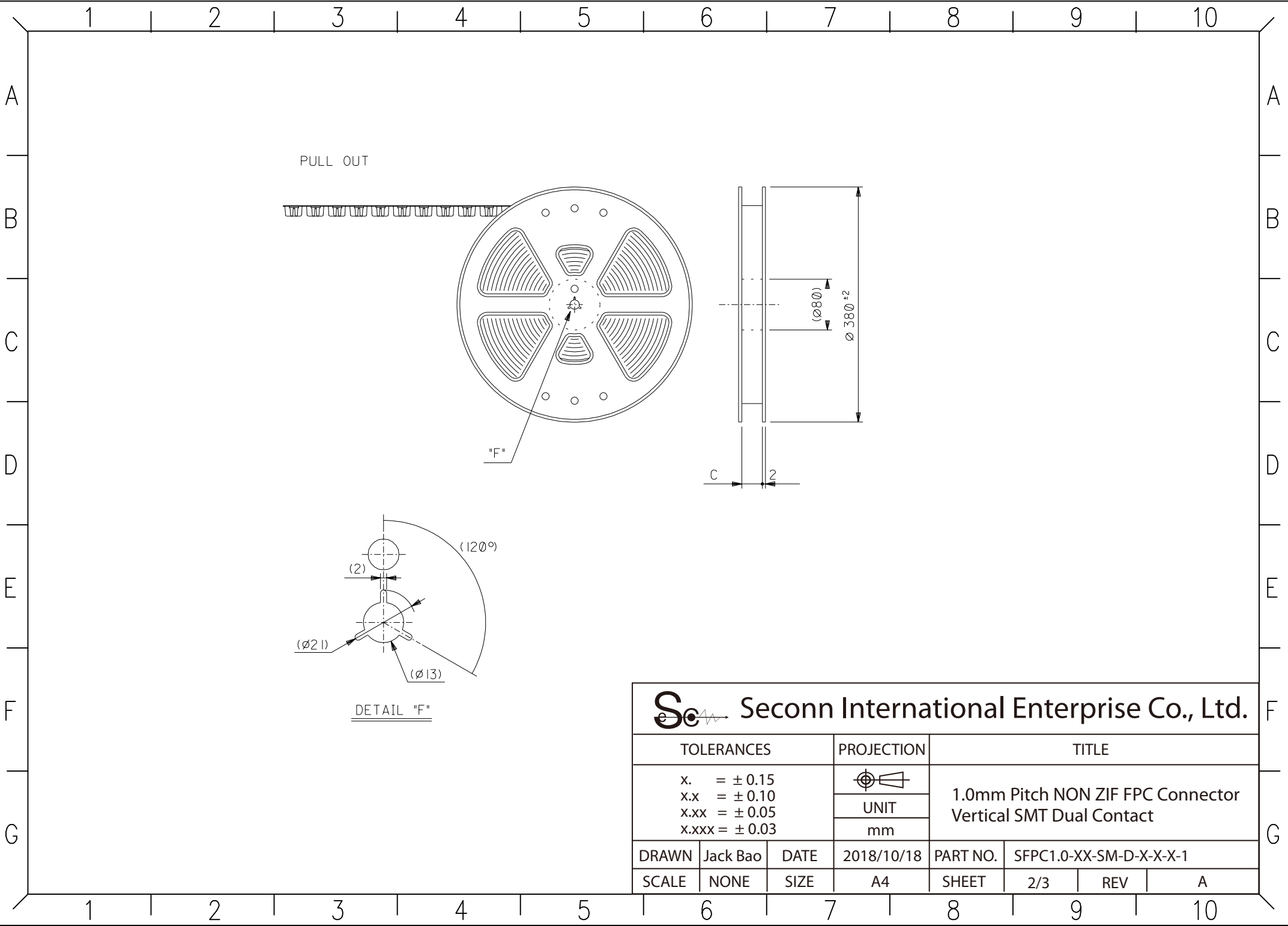
SFPC1.0 - XX - SM - D - X - X - X - 1
① ② ③ ④ ⑤ ⑥ ⑦ ⑧

- ① 1.0mm FPC Series
- ② Contact NO:
XX=XXpin
For example:
06=06pin
- ③ APPERANCE
RM:SMT Right Angle
RT:DIP Right Angle
SM:SMT Straight
ST:DIP Straight
- ④ Contact type
D: Dual contact
- ⑤ Packing Type
T: Tube packing
A: tray packing
R: tape & reel
- ⑥ Other Option
0:Standard footprint
1:Reverse footprint
- ⑦ Plating:
G0:Gold flash
G1: 3U"gold
SN: MATT-TIN
90-120U"
S0: SELECTIVE GOLD
S1: SELECTIVE GOLD
3U"
- ⑧ Series number
1

Seconn International Enterprise Co., Ltd.

TOLERANCES		PROJECTION	TITLE				
x.	± 0.35		1.0mm Pitch NON ZIF FPC Connector Vertical SMT Dual Contact				
x.x	± 0.25						
x.xx	± 0.20						
x.xxx	± 0.15	UNIT mm					
DRAWN	Jack Bao	DATE	2018/10/18	PART NO.	SFPC1.0-XX-SM-D-X-X-X-1		
SCALE	NONE	SIZE	A4	SHEET	1/3	REV	A

REV	DESCRIPTION	DATE



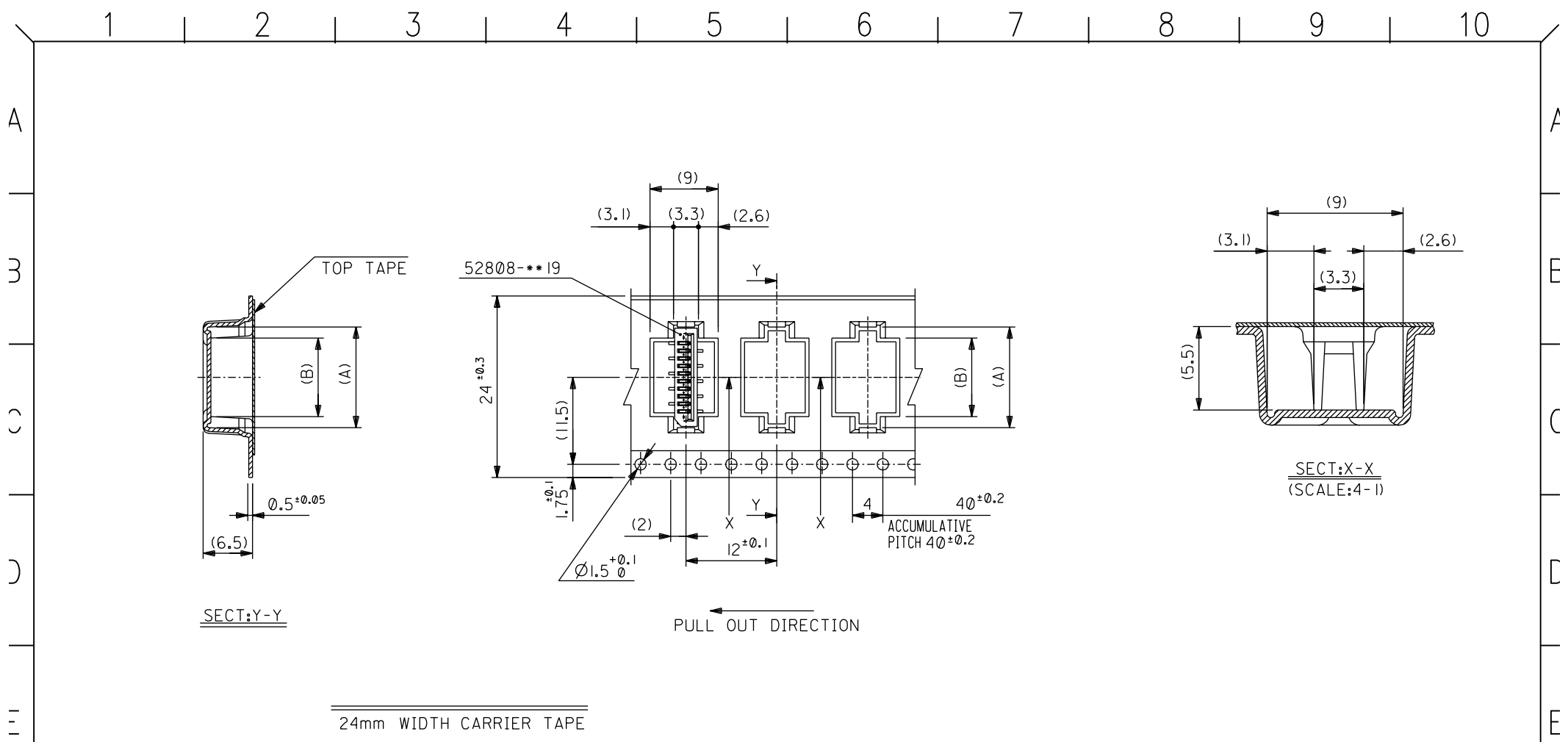
PULL OUT

"F"

DETAIL "F"

Seconn International Enterprise Co., Ltd.

TOLERANCES		PROJECTION	TITLE			
x.	= ± 0.15		1.0mm Pitch NON ZIF FPC Connector Vertical SMT Dual Contact			
x.x	= ± 0.10					
x.xx	= ± 0.05					
x.xxx	= ± 0.03	UNIT				
		mm				
DRAWN	Jack Bao	DATE	2018/10/18	PART NO.	SFPC1.0-XX-SM-D-X-X-X-1	
SCALE	NONE	SIZE	A4	SHEET	2/3	REV A



Seconn International Enterprise Co., Ltd.

TOLERANCES		PROJECTION		TITLE			
x.	= ± 0.15		UNIT	1.0mm Pitch NON ZIF FPC Connector Vertical SMT Dual Contact			
x.x	= ± 0.10						
x.xx	= ± 0.05						
x.xxx	= ± 0.03	mm					
DRAWN	Jack Bao	DATE	2018/10/18	PART NO.	SFPC1.0-XX-SM-D-X-X-1		
SCALE	NONE	SIZE	A4	SHEET	3/3	REV	A