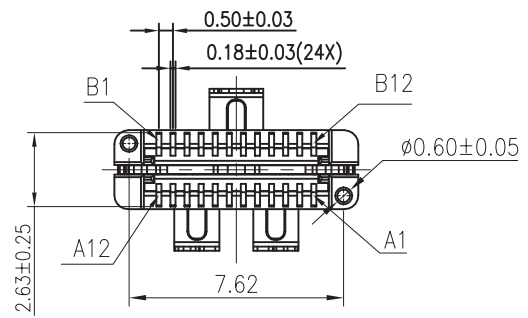
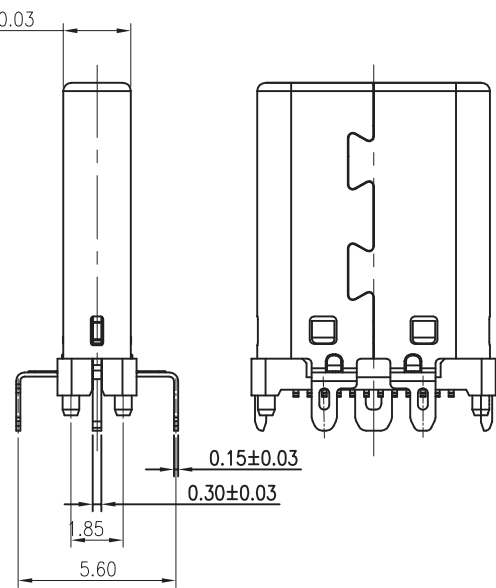
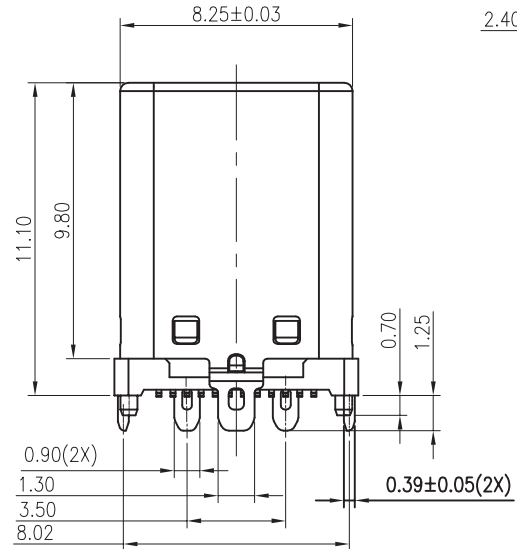
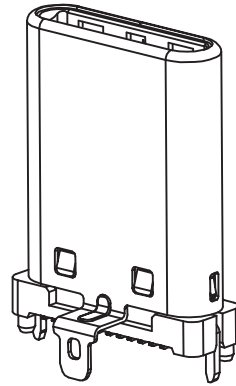
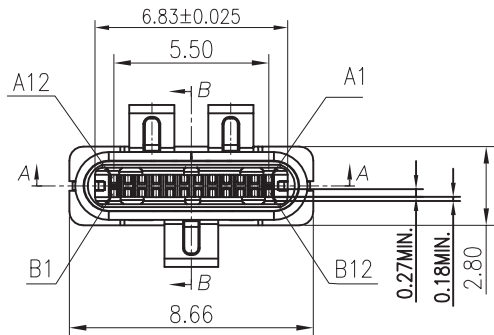


RoHS

REV.	EC#	DESCRIPTION	DATE	DRAWING	CHECKED	APPROVED
A0		NEW RELEASE	07/12'16	HT	/	WZX
B	ECN2009013	Change packing quantity and outer case	09/23'20	YJ	/	--



NOTE:

- MATERIAL SPECIFICATION:
 - HOUSING&PICKUP COVER:LCP,UL94 V-0.
 - CONTACTS: COPPER ALLOY(C7025)
 - LATCH: STAINLESS STEEL(SUS301)
 - SPRING: STAINLESS STEEL(SUS304)
 - FRONT SHELL: STAINLESS STEEL(SUS304)
- PLATING SPECIFICATION:
 - CONTACTS:
 - Ni 30u" MIN. UNDER PLATED OVER ALL.
 - Au1u" PLATED ON CONTACT AREA.
 - 80u" TIN PLATED ON SOLDER AREA
 - FRONT SHELL:
 - Ni 30u" MIN. UNDER PLATED OVER ALL.
 - LATCH:
 - Ni 30u" MIN. UNDER PLATED OVER ALL.
 - 80u" MIN. TIN PLATED ON SOLDER AREA.
 - FRONT SHELL:
 - CLEAR ONLY
- MECHANICAL PERFORMANCE,
 - INSERTION FORCE: 0.5~2.0kgf.
 - REMOVAL FORCE: 0.8kgf~2.0kgf.
 - DURABILITY: 10000 CYCLES.
- ELECTRICAL PERFORMANCE,
 - CURRENT RATING:3.0A
VOLTAGE RATING:5.0V
 - LLCR:
 - VBUS & GND PINS AND OTHER PINS: 40mΩ/PIN MAX.
 - SHIELD: 50mΩ/MAX.
 - LLCR MAX. CHANGE OF ALL PINS: 10mΩ.
 - INSULATION RESISTANCE: 100MΩ MIN
 - DIELECTRIC WITHSTAND VOLTAGE,AC 100V FOR 1 MINUTE.
- ENVIRONMENTAL PERFORMANCE:
 - OPERATING TEMPERATURE: -25°C~+85°C
- IR REFLOW:

THE PEAK TEMPERATURE ON THE BOARD SHALL BE MAINTAINED FOR 10 SECONDS AT 260°C.

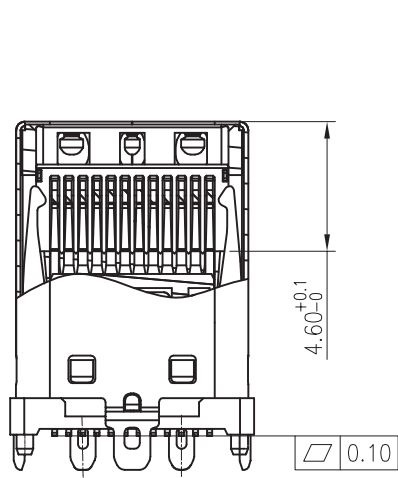
PART No.:
USB-SC104012782

USB SERIES PAKING:
PLATING: 2: REEL
01: Au1u" + TIN SERIAL NO.

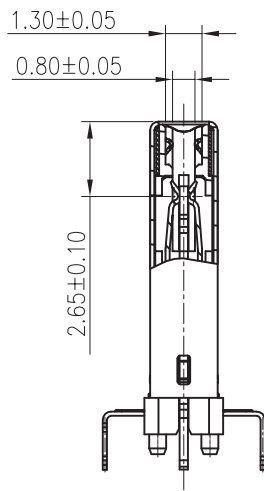
Seconn International Enterprise Co., Ltd.

TOLERANCES		PROJECTION	TITLE			
x.	= ± ----		Type C USB 3.1 Male 24 Pin Vertical SMT Type Connector			
x.x	= ± 0.30					
x.xx	= ± 0.20					
x.xxx	= ± 0.10	UNIT				
		mm				
DRAWN	HT	DATE	2016/07/12	PART NO.	USB-SC104012782	
SCALE	1:1	SIZE	A4	SHEET	1/3	REV B

RoHS



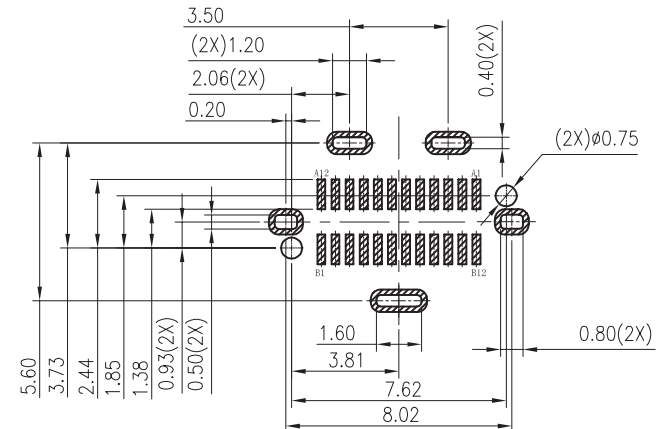
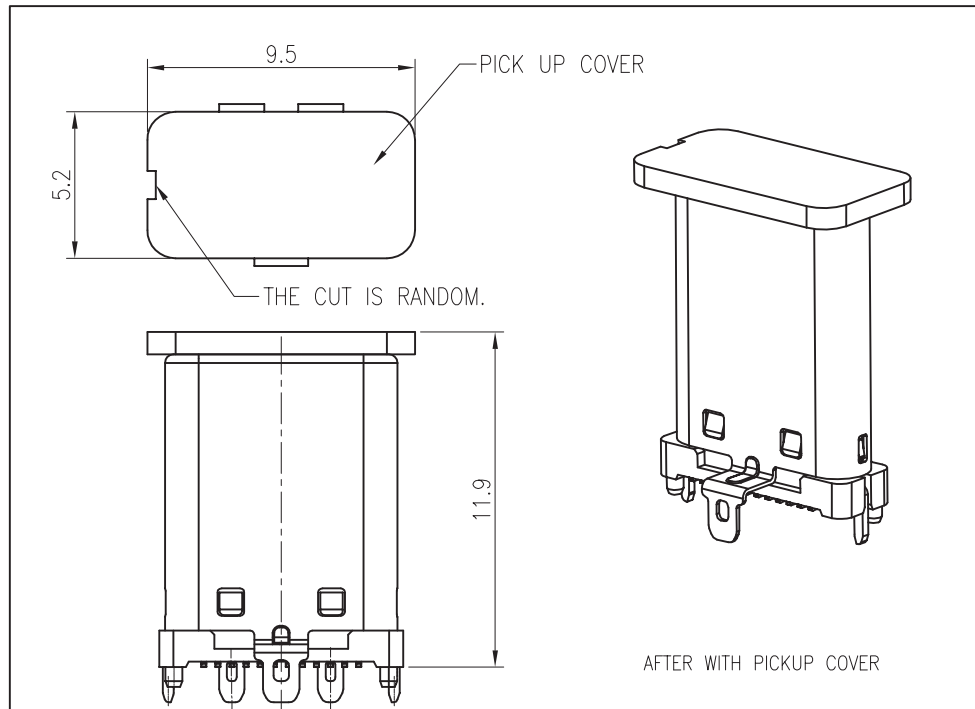
SECTION:A-A



SECTION:B-B

USB TYPE-C PIN ASSIGNMENTS

PIN NUMBER	SIGNAL NAME	PIN NUMBER	SIGNAL NAME
A1	GND	B12	GND
A2	SSTXp1	B11	SSRXp1
A3	SSTXn1	B10	SSRXn1
A4	Vbus	B9	Vbus
A5	CC1	B8	SBU2
A6	Dp1	B7	Dn2
A7	Dn1	B6	Dp2
A8	SBU1	B5	CC2
A9	Vbus	B4	Vbus
A10	SSRXn2	B3	SSTXn2
A11	SSRXp2	B2	SSTXp2
A12	GND	B1	GND



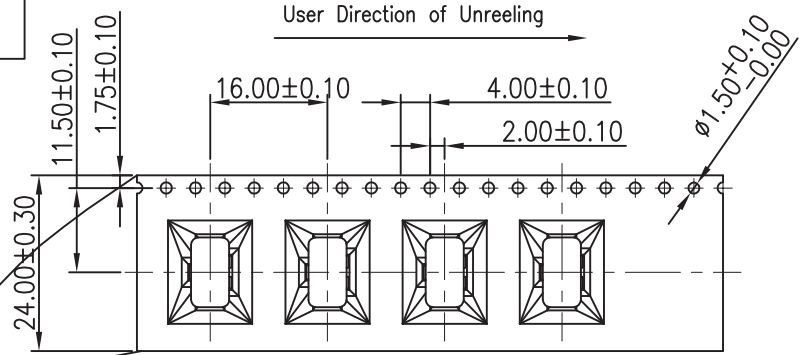
RECOMMENDED PCB LAYOUT(TOP VIEW)
THICKNESS 0.8 ±10MM;DEFAULT TOLERANCE ±0.5

Seconn International Enterprise Co., Ltd.

TOLERANCES		PROJECTION	TITLE				
x.	= ± ----	 UNIT mm	Type C USB 3.1 Male 24 Pin Vertical SMT Type Connector				
x.x	= ± 0.30						
x.xx	= ± 0.20						
x.xxx	= ± 0.10	Angle ± 2.0°	DRAWN	HT	DATE	PART NO.	USC-SC104012782
SCALE 1:1		SIZE A4	SHEET 2/3	REV B			

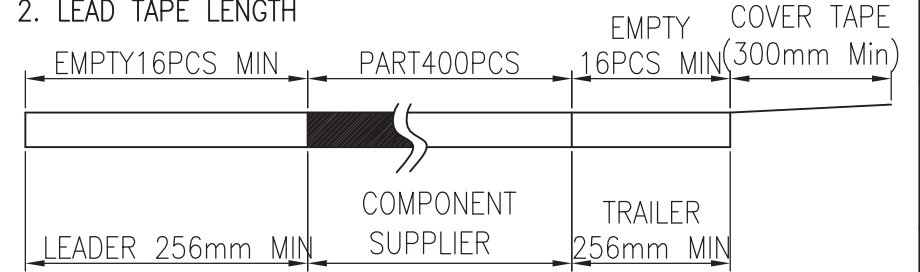
RoHS

REV.	EC#	DESCRIPTION	DATE	DRAWING	CHECKED	APPROVED
A0		NEW RELEASE	07/12'16	HT	/	WZX
B	ECN2009013	Change packing quantity and outer case	09/23'20	CHARLES	/	WZX



△ NOTES

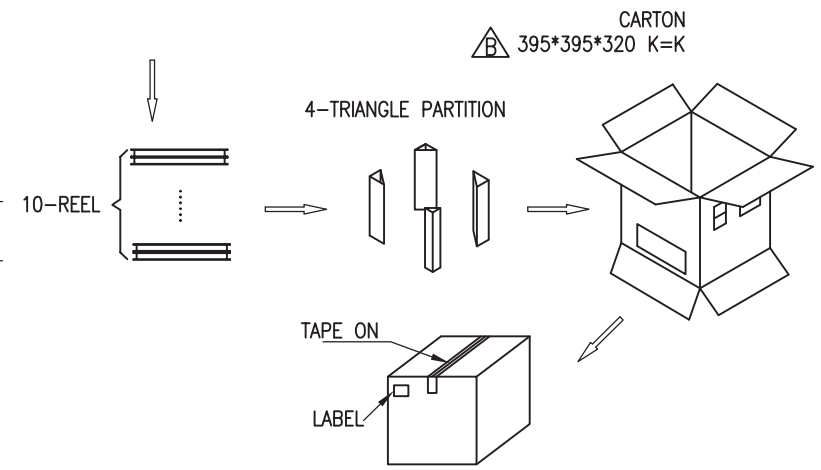
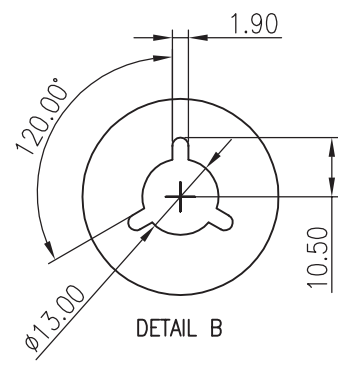
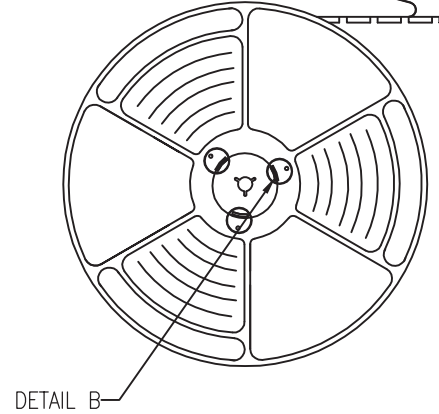
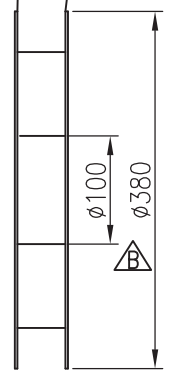
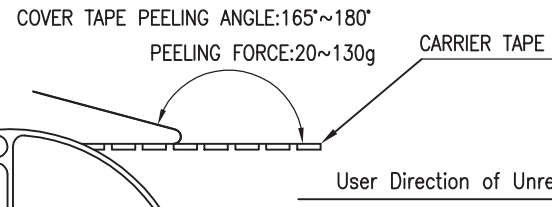
1. NUMBER OF CONNECTORS:400PCS/REEL
2. LEAD TAPE LENGTH



3. QUANTITY:4000PCS/CARTON

A
B
C
D
E

A
B
C
D
E



Seconn International Enterprise Co., Ltd.

TOLERANCES		PROJECTION	TITLE				
x.	= ± ----	 UNIT mm	Type C USB 3.1 Male 24 Pin Vertical SMT Type Connector				
x.x	= ± 0.30						
x.xx	= ± 0.20						
x.xxx	= ± 0.10						
DRAWN	HT	DATE	2016/07/12	PART NO.	USB-SC104012782		
SCALE	1:1	SIZE	A4	SHEET	3/3	REV	B

1

2

3

4

5

E