

M1040

10.4" Intel® Atom™ N450 Mobile Clinical Assistant



Features

- eHealthcare and Clinical Assistant Application
- Soldered Onboard Intel® Atom™ N450 Processor
- Electromagnetic Digitizer with Resistive Touch
- EN60601-1, EN60601-1-2, UL60601-1 Compliant
- Redundant Battery (Internal + Hot-swappable External Battery) w/ Long Battery Life (3.5hrs)
- Slim Appearance - Ultra-light Weight (1.3kg) and Ultra-slim (26mm) ; Slip-free Grip for Easy Handling
- Multi-connectivity (Bluetooth, WLAN, Gigabit Ethernet)
- Integrated 2D Barcode Scanner, 2.0 Megapixels Camera, RFID Reader
- Multi-expansion (1 x RS-232, 1 x USB, 1 x LAN, 1 x VGA , and 1 x SmartCard)

System

CPU	Intel® Atom™ N450 1.6GHz processor with 667MHz FSB
Graphics Controller	Gen3.5 + GFX Core
Memory	2GB DDR2-667 SO-DIMM memory module installed
Chipset	Intel® Atom™ N450 + ICH8M
Audio	Azalia HD IDT 92HD81 Audio
Storage	120GB 1.8" SATA HDD or 32GB 1.8" SATA SSD installed

Peripherals and Devices

USB Port	1 x USB 2.0 port
Camera	1 x 2.0 megapixels CMOS camera (front) 1 x 2.0 megapixels CMOS camera w/ auto-focus (back)
RFID	13.56MHz RFID reader with ISO 15693 support
Ethernet	1 x Realtek RTL8111 Gigabit Ethernet controller
Wi-Fi	1 x 802.11 b/g/n Mini PCIe Wireless LAN card
GSM/UMTS	Up to HSPA 3.75G (optional)
Bluetooth	1 x Bluetooth module
Barcode Scanner	1 x 2D Barcode Scanner
Smart Card Reader	1 x Smart Card Reader (optional)

Button & Indicator

Function Key	1 x 5-way function key (brightness/volume/WLAN on/off) 1 x Bluetooth on/off button 1 x Camera capture button 1 x Input type (Chinese/Alphanumeric) selection button 1 x SAS button (Ctrl + Alt + Del) 1 x RFID on/off button 1 x Barcode scan trigger button
LED Indicator	1 x Battery status LED 1 x Bluetooth LED 1 x WLAN/RFID on/off LED 1 x Power on/off LED
Power Button	1 x Power on/off button with indicative LED ring

LCD Display

Size/Type	10.4" TFT Active Matrix Panel
Max. Resolution	1024 x 768 (XGA) w/ 262,144 colors
Luminance	300 cd/m ² (typ.)
Viewing Angle	+89° ~ -90° (H), +89° ~ -90° (V)
Backlight Type	LED

Touch Screen

Type	Digitizer with Resistive Touch
Touch Pen	Battery-free pen

Power Supply

Adapter Input	100 ~ 240 VAC (Full Range)
Adapter Output	20VDC, 3.25A, 65W
Battery Type	Li-battery pack
Battery Capacity	Internal 1880mAh 3-cell External 2000mAh 4-cell
Battery Operating Time	3.5 hours

Mechanical & Environmental

Operating Temp.	0 ~ 40°C (32 ~ 113°F)
Storage Temp.	-20 ~ 60°C (-4 ~ 140°F)
Dimensions (W x D x H)	256 x 26 x 255 mm (10.08" x 1.02" x 10.04")
Weight (Net)	1.3 kg (2.8 lb) w/ batteries (internal + external)
Regulatory	CE, FCC Class B EN60601-1, EN60601-1-2, UL60601-1 compliant
IP Rating	IP54
Vibration	5 ~ 500Hz, 3G random operation
Shock	40G peak (11m/sec)
Transit Drop	Under 3ft (90cm)

Ordering Information

M1040	10.4" portable medical PC with vehicle-mount cradle
BAT-1040	External 2000mAh 4-cell Li-battery

VMC-1040

RAM-ball Mount Cradle for M1040



Specifications

Color & Material	White, Plastic
Mounting Compatibility	RAM mount; VESA-75
I/O Ports	2 x USB, 1 x RJ-45, 1 x RS-232, 1 x VGA, 1 x DC Plug (bottom side) 2 x USB (left side) 1 x Smart Card, 1 x MSR (front side)
LED Indicator	Power/MSR/Smart Card/Battery LED

Mechanical & Environmental

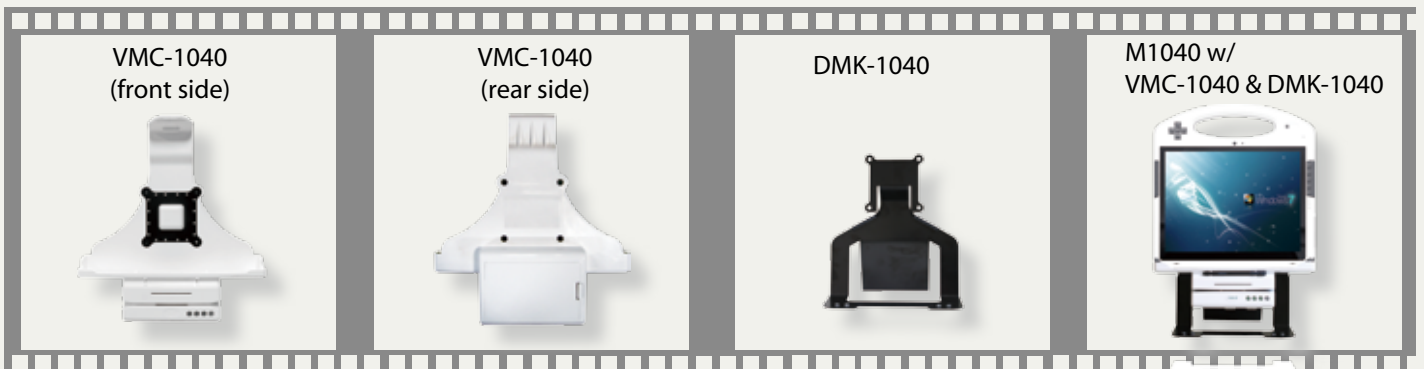
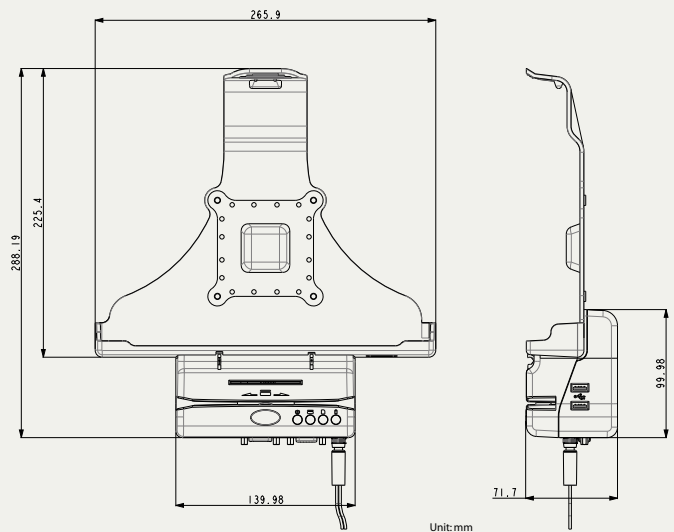
Operating Temp.	0 ~ 45°C (32 ~ 113°F)
Storage Temp.	-20 ~ 60°C (-4 ~ 140°F)
Operating Humidity	5 to 95% (non-condensing)
Dimensions (W x D x H)	265.9 x 99.98 x 288.19 mm (10.47" x 3.94" x 11.35")
Weight (Net)	726 g (1.6 lb)
Vibration	1 Grms/ 5 ~ 500Hz/ Random operation
Shock	10G peak acceleration (11 ms duration)

Power

Requirement 18 ~ 24V, DC In

Ordering Information

VMC-1040	RAM-ball Mount Cradle for M1040
DMK-1040	Desktop Mounting Kit for VMC-1040



All specifications are subject to change without notice.