

# POS



Fiery Red



Sky Blue

Pearl White

Stylish Black



i-Button



USB



Printer



CF Card & WLAN

## PS3100

The One-of-a-kind  
Highly Integrated  
Fanless 10.4" POS  
Terminal

### Features and Benefits:

- Intel® ATOM N270 CPU
- 10.4" LCD display with touch
- Flexible design for versatile applications
- Fanless POS
- Optional 2"/3" easy loading thermal printer
- Optional MSR, i-Button & fingerprint module
- Small footprint
- Streamline design



**PROTECH SYSTEMS**

*It's the right choice*

### Protech Systems Co., Ltd.

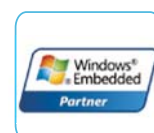
No. 24, Lane 365, Yang Goang Street, Nei Hu District Taipei 114, Taiwan  
TEL: +886-2-8751-1111 FAX: +886-2-8751-1199  
E-mail: sales@protech.com.tw  
<http://www.protech.com.tw>

### Protech Technologies Inc.

950 Fee Ana St, Suite B Placentia, CA 92870  
TEL: +1-714- 996-7200 FAX: +1-714- 996-7300  
Sales: sales@protech-usa.net  
<http://www.protech-usa.net>

### Protech Japan Co., Ltd.

OSK Bldg, 6F, 6-25-14, Minami-ohi Shinagawa-ku, Tokyo, 140-0013  
TEL: +81-3-5753-8411 FAX: +81-3-3763-9282  
E-mail: sam@protech-j.com  
<http://www.protech-j.com>



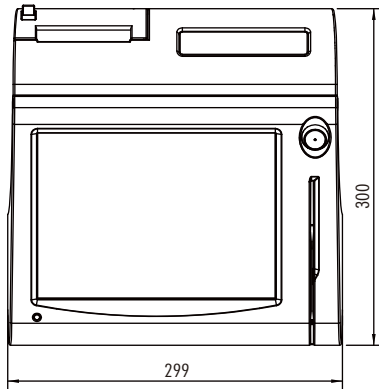
ISO CERTIFIED

9001 14001

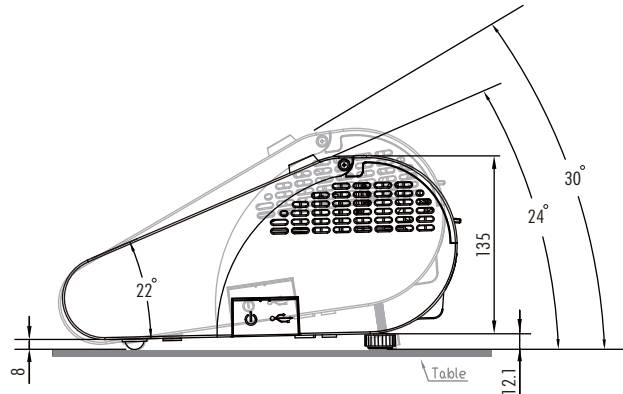
# PS3100

The One-of-a-kind Highly Integrated Fanless 10.4" POS Terminal

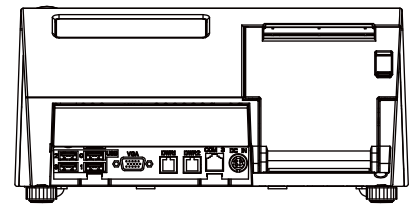
Top View



Side View



Rear View



Unit: mm

## Specification

System	
<b>CPU Support</b>	Intel® ATOM N270 CPU
<b>Memory</b>	1 x DDR2 SO-DIMM Slot, 512MB DDR2 SO-DIMM (up to 1GB)
<b>Core Logic</b>	Intel® 945GSE + ICH7M
<b>Network</b>	10/100/1000Base-T Fast Ethernet
<b>Power Supply</b>	120 Watt Power Adaptor
<b>System Weight</b>	4.5 kg (Fanless)
<b>Dimension (WxHxD)</b>	300 x 299 x 135 mm (11.81" x 11.77" x 5.31")
<b>O.S. Compliant</b>	Windows XP / XPE, WEPOS, POSReady 2009

## Storage

<b>HDD</b>	1 x 2.5" SATA HDD (standard 160GB)
<b>CF</b>	Bootable Compact Flash slot for CF type I/II storages

## I/O Ports

<b>USB</b>	4 x USB 2.0 ports / 1 x USB 2.0 on side bezel
<b>Serial Ports</b>	3 x DB-9 (COM 1/2/4), 1 x RJ45 (COM 3), +5/12V Selectable (COM 1~3)
<b>PS/2</b>	1 x PS/2 ports (default at keyboard)
<b>LAN</b>	1 x 10 / 100/1000 Mbps
<b>VGA</b>	1 x DB-15 VGA Interface
<b>Audio</b>	1 x 2W speaker
<b>Cash Drawer</b>	1 x RJ11 Cash Drawer port (12V/24V)
<b>Pinter</b>	2" or 3" easy loading thermal printer with Auto cutter

## Display

<b>LCD</b>	10.4" TFT LCD
<b>Max. Resolution</b>	1024 x 768 / 800 x 600
<b>Brightness</b>	300 / 230 cd/m <sup>2</sup>
<b>Touch Screen</b>	5-wire Analog resistive
<b>Viewing Angle</b>	0 ~ 65 degree

## Environment

<b>EMC &amp; Safety</b>	CE / FCC / cUL / CB
<b>Operating Temp.</b>	0° ~ 35°C
<b>Storage Temp.</b>	-20° ~ 60°C
<b>Humidity</b>	20% ~ 90%

## Ordering Information

<b>PS3100</b>	10.4" POS Terminal with Intel® ATOM N270 CPU, 512MB DDR2 SO-DIMM, 160GB HDD
<b>VFD Customer Display</b>	Vacuum Fluorescent Display, 20 columns and 2 lines, each column is 5 x 7 dots
<b>i-Button</b>	Read only, output through PS/2 KB interface
<b>MSR</b>	JIS-I or II, ISO Track1+2+3 (PS/2 KB Interface)
<b>Color</b>	Red, Navy Blue, Black or White
<b>OS</b>	Windows XP / XPE, WEPOS, POSReady 2009
<b>Wireless LAN</b>	Mini PCIe Wireless LAN Module 802.11 b/g
<b>Fingerprint</b>	Embedded Fingerprint module (USB interface)

All of trademarks and brand names are the property of their owners. Trademark "Protech" is the property of Protech Systems Co., Ltd. All information contained in this document is subject to change without any prior notice. This catalog is copyrighted in Nov. 2009.