



# V a r i P a d

7" Handheld Android Tablet



7" PCT  
touch screen



12hr



WIFI / 3G



Card Reader



Charger  
Cradle



◀ Menu Reviewing



◀ Payment



Self-Ordering ▶

## Features

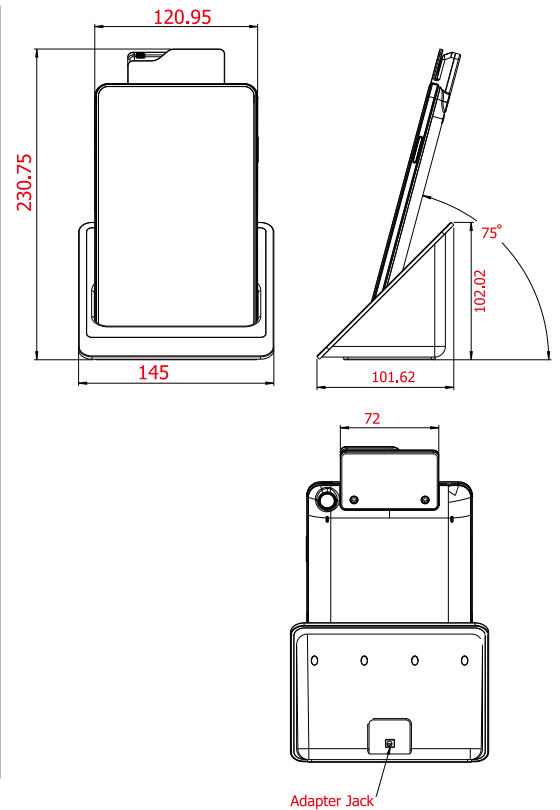
- Seamless integration for tablet device and POS system
- Runs Android OS Version 4.2
- Swappable battery pack design
- Magnetic stripe card-reader with hardware encryption supported
- Cradle design for rechargeable battery
- Friendly battery status LED indicator
- 12-hours battery life for long working time

## Specification

Model Name		VariPad
Main Board	CPU	MTK8389 quad-core 1.2GHz processor
	System Memory	DDR3 1GB
Display	TFT LCD	7"
	Brightness	280 nits
	Resolution	1280 x 800
	Touch Screen	Projective Capacitive, multi-touch, 5 points
Storage	NAND Flash	8GB
Camera		Rear: 5Mega pixel, AF focus
Sensors		G sensor / Vibrator / Ambient light sensor
Wireless Network	WIFI	802.11 b/g/n
	Bluetooth	3.0 / 4.0
I/O Ports - Internal	DC Input	1 x DC jack (5V)
	Power	1 x power on/off button
	Volume	1 x volume up/down button
	USB Port	1x Micro USB
	Audio	Built-in speaker, 1 x 3.5-mm stereo headphone & microphone minijack
	Micro SD	1 x Micro SD slot
Operating System		Android 4.2
Battery		Rechargeable battery, 8000 mAh , Swappable battery pack design
Power adaptor		10W, DC5V/2A, AC 100~240V
Cradle		1 x cradle for battery charging
Magnetic stripe card reader (optional)		3 tracks, hardware encryption

\*The right has been reserved to change the specification without prior notice.

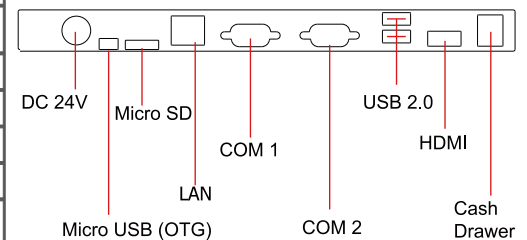
## Dimensions unit:mm



Model Name		VariPOS (Android Version)
Main Board	CPU	ARM processor
	System Memory	1 GB
Display	TFT LCD	15" TFT LCD(LED backlight)
	Brightness	250 nits
	Resolution	1024 x 768
	Touch Screen	True Flat 5-Wire Resistive
Storage	NAND Flash	8GB
I/O Ports -External	DC Power Input	1 x DC jack(DC 24V only)
	Cash Drawer	1 x RJ-11(24V)
	Network(LAN)	1 x Gigabit Ethernet by RJ-45
	USB Port	2 x USB 2.0(type A) / 1 x USB OTG(microUSB)
	Serial Port	2 x RS-232[COM1/COM2(5V/12V selected by Android software)]
	MicroSD	1 x MicroSD slot
I/O Ports - Internal	Card Reader & iButton	HD Audio, 2W Speaker x 2
	Audio	USB HID : Internal Pin header for Card Reader & iButton
Compliance		IP66 on front panel
OS Support		Android 4.2
Power Supply		External power adapter 45 watts, AC 100~240V / DC24V @ 1.87 max.
Material		Main Unit: Die-casting aluminum ; I/O Cover: Plastic(black)
Color		Main Unit: Black
Certifications		CE, FCC, Class-A, RoHS
Dimension ( W x H x D )		370 x 300 x 236 mm
Weight		5.68 Kg
VESA Mounting		100 x 100 mm
Operating Temperature		0°C ~ 45°C, 10% ~ 90% RH, non-condensing
Storage Temperature		-20°C ~ 60°C, 10% ~ 90% RH, non-condensing

\*The right has been reserved to change the specification without prior notice.

## IO Interface



## Order Information

### ■ VariPad (Android Version)

7" Handheld Tablet POS Terminal

### ■ VariPOS (Android Version)

Fanless 15" VariPOS Android Version:

5-wire Resistive, RAM 1GB,

flash memory 8GB



ANDROID



# VariPOS & VariPad

Seamless Android POS Solution