

BriteMED® POC-W22A-H81

21.5" medical panel PC with global design awards



*Handle module is optional

Features

- Advanced 802.11 a/b/g/n/ac wireless connectivity
- Slim design & modular structure, easy for maintenance
- Built-in 2-megapixel camera facilitates communication purpose
- Rich IO ports allow flexible connection with external devices
- Medical grade with UL 60601-1/EN 60601-1 certifications
- Flexible expansion with optional barcode scanner & RFID reader module



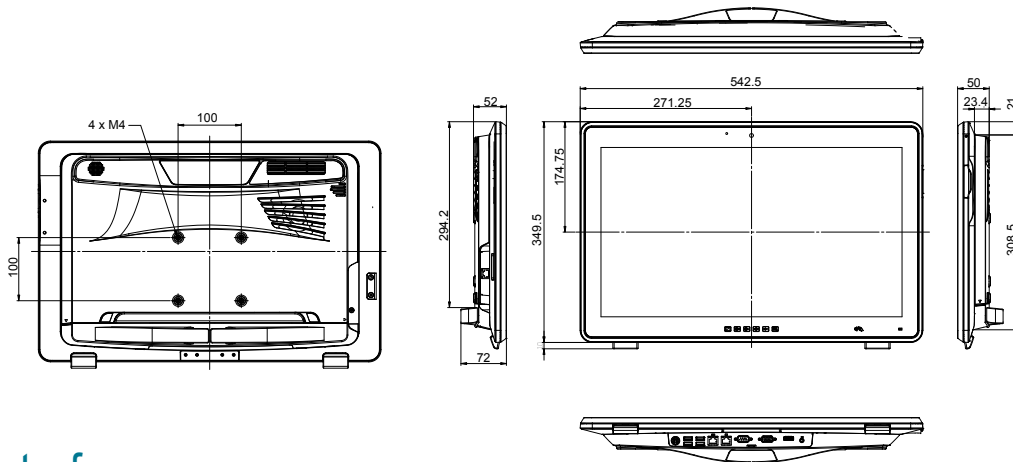
reddot design award
winner 2016



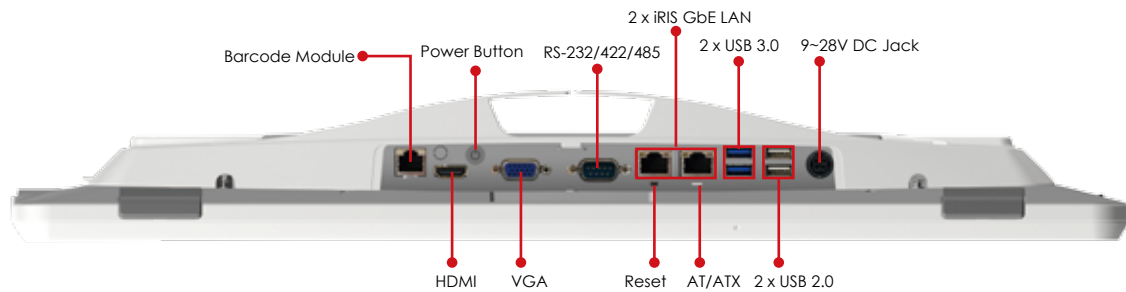
Specifications

Model		POC-W22A-H81	
Description		A medical panel PC with appealing outlook and modular structure	
Hardware	CPU	4th generation Intel® Core™ i5/i3/Pentium® CPU	
	Memory	Two 204-pin 1600/1333MHz dual-channel DDR3 SDRAM, 4GB pre-installed (system max.16GB)	
	Storage	1 x 2.5" SATA HDD bay	
	Camera	2-megapixel CMOS front-facing camera with auto-focus and digital microphone	
	Expansion Interface	1 x PCIe Mini for Wi-Fi module 1 x PCIe Mini reserved	
Display	Size	21.5"	
	Max Resolution	1920 (W) x 1080 (H)	
	Luminance	250	
	Contrast Ratio	1000:1	
Touchscreen	Type	Projected capacitive with USB interface	
Front Button	Function Key	Six buttons(LCD on/off, Light +/-, Audio +/-, Touch lock button for cleaning) Combinations: 1 x Lock/Unlock OSD 1 x Power on/off	
I/O Ports	USB 3.0	2	
	USB 2.0	4	
	RS-232/422/485	1	
	GbE LAN by RJ-45	2	
	HDMI Out	1	
	VGA	1	
	RFID	Optional: Mifare 13.56 MHz card reader	
	DC-in	1	
	Power Jack	1	
	Power Switch	1	
LED	Indicator	2-light battery status LED, RFID indicator LED	
Audio	Speaker	2 x 3W speaker	
Wireless	WLAN	802.11 a/b/g/n/ac 1T1R module	
Software	OS	64bit Windows Embedded Standard 7 P, with DVD-ROM 64bit Windows Embedded Standard 8, with DVD-ROM	
Mechanical	Mouting	VESA 100 mm x 100 mm	
	Dimensions (W*H*D)	542.5 x 349.5 x 52mm	
	Weight	7.3kg	
Power	Power Requirement	12V~28V DC input	
	Power Adaptor	Medical Grade. 100V~240V AC input to 19V DC output	
Environment	Operating Temperature	0°C~40°C	
	IP Level	IP65 compliant front panel	
Certifications	Safety	CE, FCC class B part 18, UL 60601-1, EN 60601-1	
Package Content		<ul style="list-style-type: none"> • Panel PC x 1 • Driver CD including user manual x 1 • 120W medical power adapter: Input: 100V~240V AC, Output: 19 V DC x 1 • European power cord: 1830mm x 1 	

Dimensions (unit: mm)



I/O Interface



Ordering Information

Part No.	Description
POC-W22A-H81i-P/ PC/4G-R10	21.5" 250cd/m ² FHD medical panel PC with Intel® H81 chipset, Pentium Dual Core G3320TE processor (2.3 GHz), TDP 35W, 2*2GB DDR3 RAM, 802.11a/b/g/n/ac WiFi module, PCAP touchscreen, 2M camera, microphone, support iRIS-2400, R10
POC-W22A-H81i-i3/ PC/4G-R10	21.5" 250cd/m ² FHD medical panel PC with Intel® H81 chipset, Dual Core i3-4330TE processor (2.4 GHz), TDP 35W, 2*2GB DDR3 RAM, 802.11a/b/g/ n/ac WiFi module, PCAP touchscreen, 2M camera, microphone, support iRIS-2400, R10
POC-W22A-H81i-i5/ PC/4G-R10	21.5" 250cd/m ² FHD Medical panel PC with Intel H81 chipset, Dual Core i5-4570TE Processor (2.7 GHz), TDP 35W, 2*2GB DDR3 RAM, 802.11a/b/g/n/ ac WiFi module, PCAP touchscreen, 2M camera, microphone, support iRIS-2400, R10

Options

Part No.	Description	Part No.	Description
POCP-W22A-HS-R10	USB interface VoIP phone and its holder	POCP-W22A-TPM-R10	Trusted platform module kit for POC-W22A-H81 series only
POCP-W22A-CR-R10	Magnetic card reader/Smart card reader/Fingerprint sensor	POCP-W22A-BAT-R10	Li-Ion Battery, 3700mAh; 14.8V; RoHS
POCP-W22A-HD-R10	Metal handle covered with soft rubber	POCP-W22A-EZS-R10	The desk-based stand with the cable management hole is designed for POC-W22A-H81 series only
POCP-W22A-HD-BR-R10	Metal handle covered with soft rubber, with barcode reader (Honeywell N5600) and reading light	Wall Mount Kit	AFLWK-19B
POCP-MF-RFID-R10	Mifare RFID reader, 13.56MHz, with LED indicator, IEI assembly only	Arm	ARM-31-RS
iRIS-2400-R10	IPMI 2.0 adapter card with AST2400 BMC chip for DDR3 SO-DIMM socket interface	Stand	STAND-300SW-RS/STAND-A21-R10



Britemed Technology Inc.
 3F., No.,306, Sec 1, Datong Rd., Xizhi Dist., New Taipei City 221, Taiwan
 TEL: +886-2-86919498
 FAX: +886-2-86919468
 www.britemed.com.tw

Specifications may change without further notice.
 © Britemed Technology Inc. 2016. All rights reserved.