



GLOBE FAN

GLOBEFAN TECHNOLOGY CO., LTD.

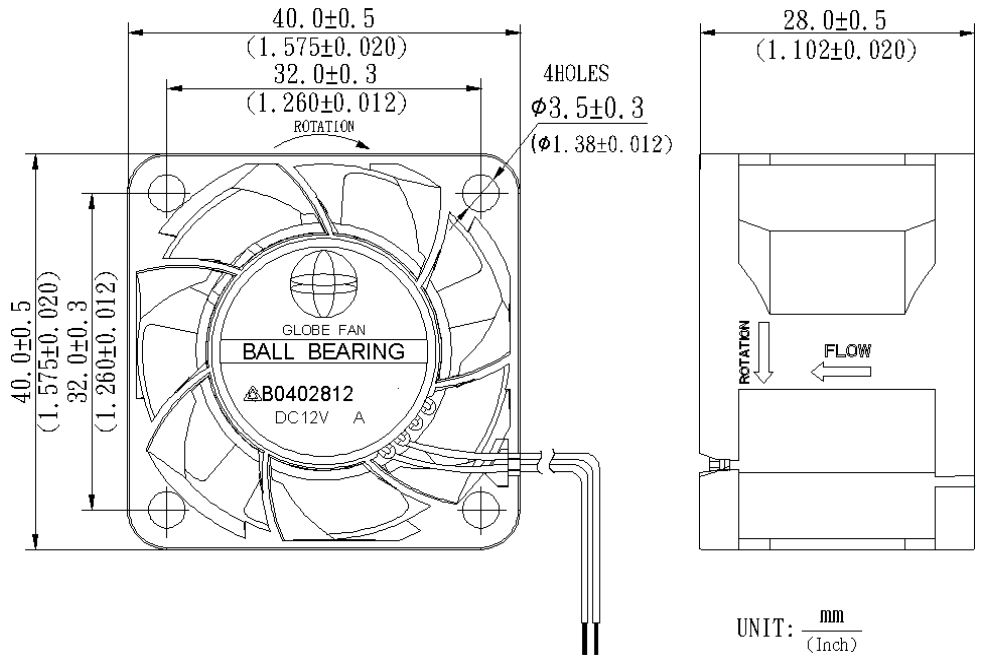
No. 28, 3 Lane Zhongxinjin Road, Jin Industry District Shoei Koo Village,

Da Laang Town, Dungguan City, Guangdong Province, China

Tel : +86 769 83182898~9

Fax : +86 769 83182897

◆ DIMENSIONS DRAWING



* Rohs Compliant

* Bearing Type

- 2 Ball bearing

* Electrical Function

- PWM (Pulse Width Modulation)

- FG or RD Output Signal

* Material

Impeller: Plastic (PBT UL 94V-0)

Frame : Plastic (PBT UL 94V-0)

* Lead wires

UL 1061 AWG#26 or Equivalent

Yellow Wire Positive (+)

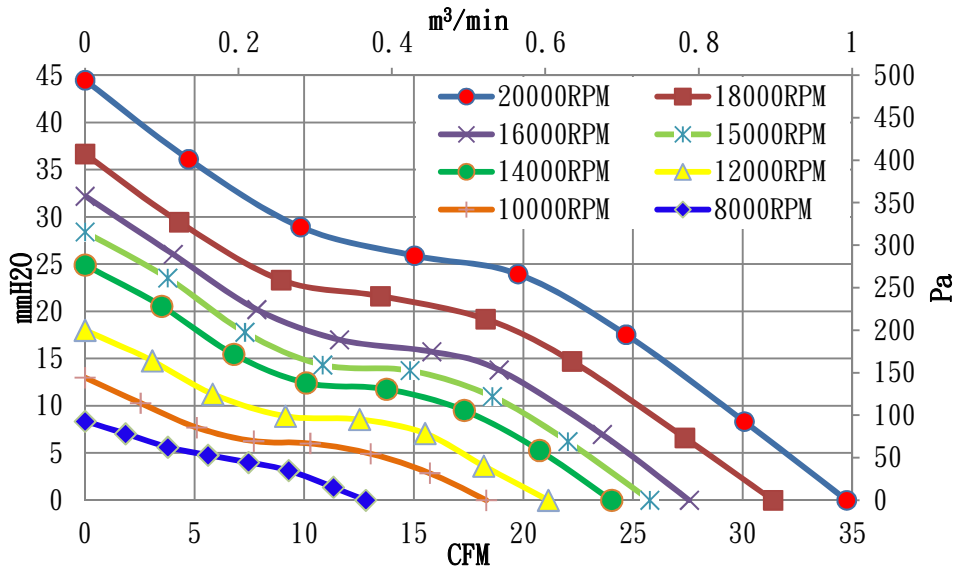
Black Wire Negative (-)

Green Wire FG or RD Output Signal

Blue Wire PWM

* Weight : 43g (1.52 oz)

◆ 40x40x28mm DC Axial Fan P/O Curves (At rated speed)



MODEL	Operating Voltage Range	Rated Voltage	Rated Current	Rated Input Power	Speed	Maximum Air Flow		Maximum Air Pressure		Noise
Part No.	VDC	VDC	Amp	Watts	R.P.M	m ³ /min	CFM	mmH ₂ O	InH ₂ O	dB(A)
B0402812LLBP-4M	4V ~ 13.8V	12	0.32	3.8	8000±10%	0.36	12.80	8.35	0.33	45.0
B0402812LBP-4M	4V ~ 13.8V	12	0.35	4.2	10000±10%	0.52	18.30	12.98	0.51	46.9
B0402812MBP-4M	4V ~ 13.8V	12	0.55	6.6	12000±10%	0.60	21.13	18.00	0.71	50.5
B0402812HHBP-4M	6V ~ 13.8V	12	0.63	7.6	14000±10%	0.68	24.02	24.90	0.98	53.8
B0402812FHBP-4M	6V ~ 13.8V	12	0.65	7.8	15000±10%	0.73	25.76	28.41	1.12	55.4
B0402812EHBP-4M	6V ~ 13.8V	12	0.85	10.2	16000±10%	0.78	27.57	32.19	1.27	57.7
B0402812GHBP-4M	6V ~ 12.8V	12	2.20	26.4	18000±10%	0.89	31.39	36.66	1.44	59.2
B0402812SHBP-4M	6V ~ 12.8V	12	2.40	28.8	20000±10%	0.98	34.74	44.48	1.75	61.3

* Function type is optional.

* The max. air flow and speed are measured in free air; max. air pressure is measured at close to zero air flow.

* Noise is measured in anechoic chamber in free air, one meter from intake side.

* All readings are typical values at rated voltage.

* Specifications are subject to change without notice.