



JMF602

SATA II to Flash Controller

Overview

JMF602 is a single chip with Serial ATA Gen II and USB 2.0 combo to NAND flash interface. It is an innovative design to provide high bandwidth for flash memory access.

JMF602 can support the maximum read and write speed to drive the limit of flash memory. It supports up to 256 NAND Flash chips. JMF602 is available in 211 pin TFBGA (12mm x 12 mm) package.

JMF602 supports a variety of popular NAND flash memory, including Toshiba, Samsung, Hynix/ST and Intel/Micron Flash. With the embedded hardware error correction engines and the robust bad block management technology, JMF602 is suitable for PC and industrial solid state drive applications. In addition, dynamic and whole drive static wear leveling are used in JMF602 to provide the best extension of drive life time.

JMicron also provides reference designs in different drive form factors, mass production tool and firmware update tool to help customers go on mass product quickly.

Feature

Compliance

- Compliant with **Universal Serial Bus Specification Revision 2.0**
- Compliant with **USB Mass Storage Class specification version 1.0**
- Compliant with **Serial ATA International Organization : Serial ATA Revision 2.6**

USB 2.0

- USB Bulk mode transport protocol

SATA II

- Supports 1-port 3.0Gbps SATA II interface

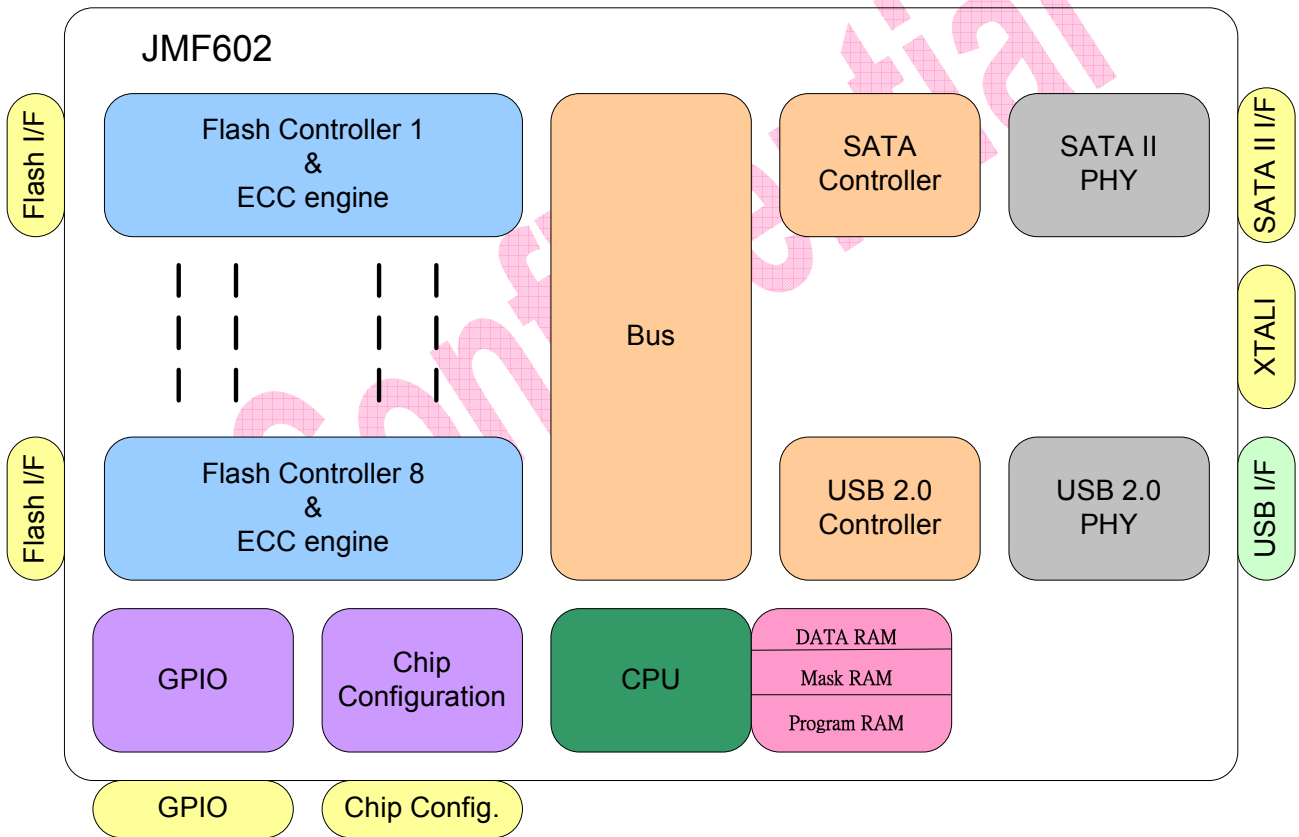
FLASH

- Supports up to 256 CEs.
- 170/135 MB/s Sequential read/write rates (SLC)
- Enhanced endurance by Dynamic/Static wear-leveling
- Supports BCH ECC to correct 8/15 bit errors in 512 bytes
- Support both 2K and 4K byte page size flash
- Supports dynamic power management
- Support SMART function
- Data integrity under power-cycling
- Supports USB/SATA firmware upgrade

SYSTEM

- Integrated 1-port USB2.0, 1-port SATA II and 8-channel Flash controller
- LED indicator for USB2.0 or SATA read/write access
- LED indicator for USB2.0 or SATA PHY link up
- Provides 9 GPIO pins for customer
- Provides UART and JTAG for S/W debugging
- Available in 208-pin LQFP(28 mm * 28 mm) package
- Built-in power-up self-test (BIT)
- Manual and automatic self-diagnostics

Functional Block Diagram



Functional Block Diagram of JMF602

**Total capacity**

density/per flash	Support CE pins/per flash	maximum flash number	Total capacity
128M x 8 Bits (1Gb)	1 CE pin	256	32G Bytes
256M x 8 Bits (2Gb)	1 CE pin	256	64G Bytes
512M x 8 Bits (4Gb)	1 CE pin	256	128G Bytes
1G x 8 Bits (8Gb)	2 CE pins	128	128G Bytes
1G x 8 Bits (8Gb)	1 CE pin	256	256G Bytes
2G x 8 Bits (16Gb)	2 CE pins	128	256G Bytes
4G x 8 Bits (32Gb)	4 CE pins	64	256G Bytes

Product Information

Name	Description
JMF602	SATA II to Flash Controller

Document

1	JMF602 Data Sheet
2	JMF602 Design Specification
3	JMF602 Hardware Design Guide
4	JMF602 Hardware Schematic

Contact Information

Department	Email
Sales	sales@jmicron.com
Tech. Support	fae@jmicron.com